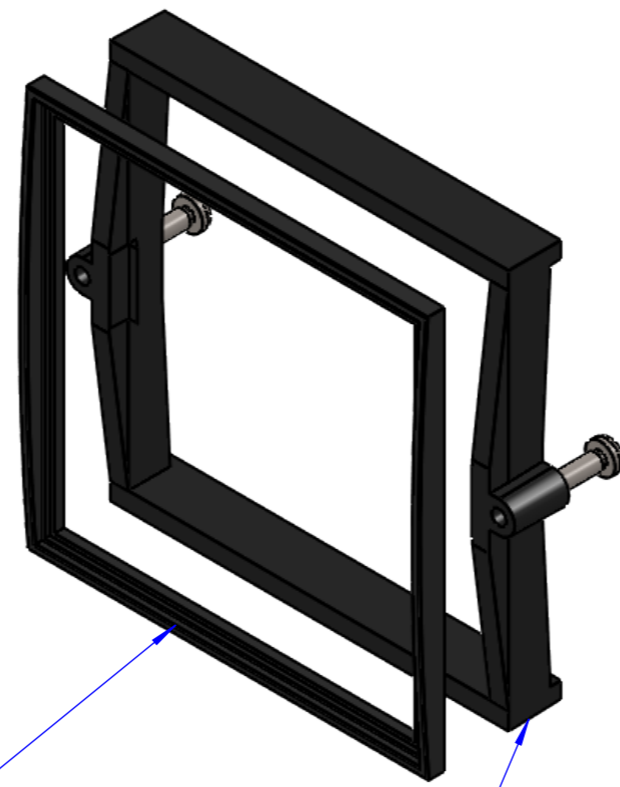
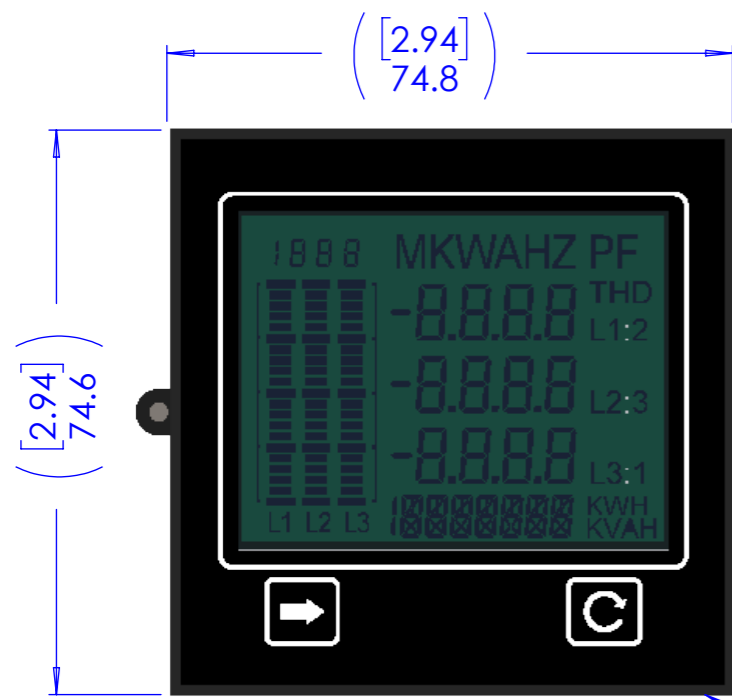
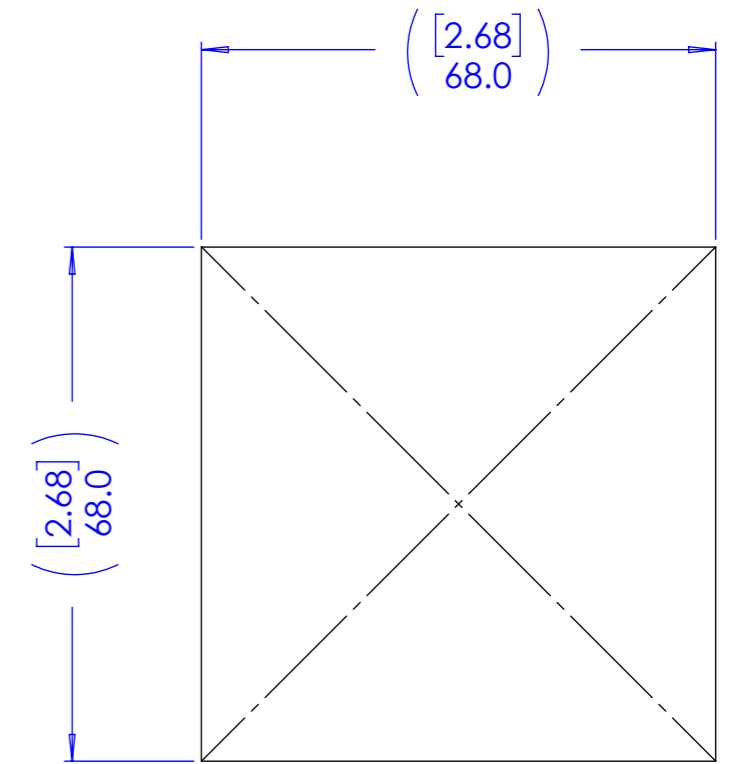


Released

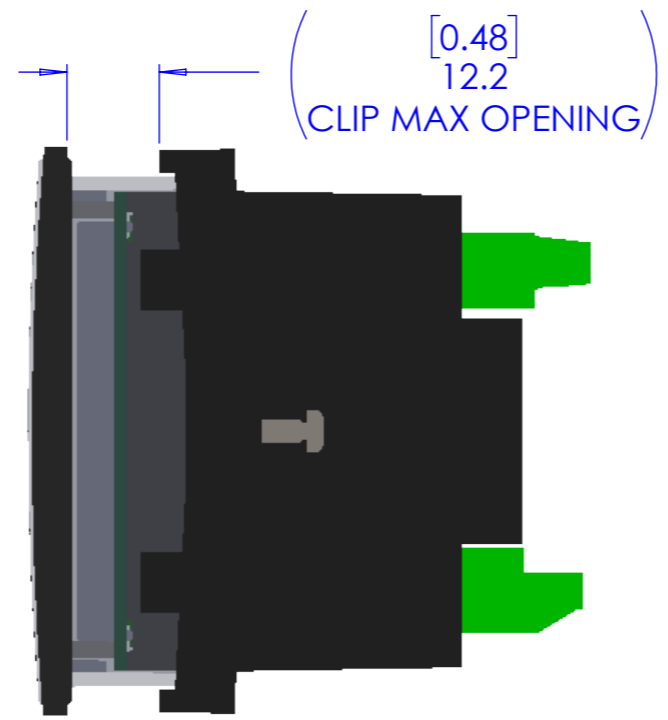
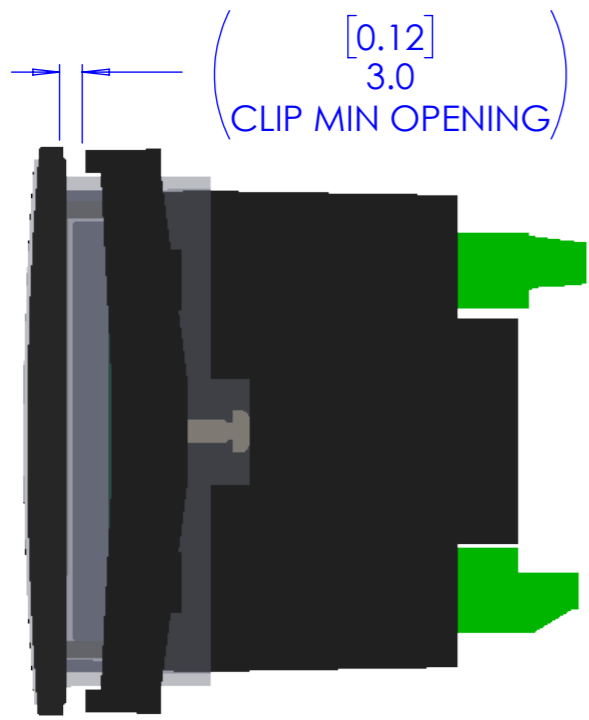


GASKET
022635-01


022700-01 MOUNTING CLP



RECOMMENMENNED /PANEL CUT-OUT
68 X68MM (2.68IN) +0.7 (0.03IN) / -0.0MM



DIMENSIONS SHOWN WITH MOUNTING SEAL FITTED

MATERIAL NA	FINISH	WEIGHT	
ALL DIMENSIONS ARE IN MM UNLESS OTHERWISE STATED TOLS TO BE ± 0.25	TITLE INSTALLATION ASSEMBLY DETAIL		
SCALE 1:1	ITEM No		
DO NOT SCALE IF IN DOUBT ASK	DRAWN HE	CHECKED HE	APPROVED MB
 THIRD ANGLE PROJECTION			
COPYRIGHT AND CONFIDENTIAL <small>© ALL RIGHTS RESERVED. THIS DOCUMENT AND THE INTELLECTUAL PROPERTY CONTAINED HEREIN ARE THE PROPERTY OF TRUMETER. NO PART OF THIS DOCUMENT MAY BE DISCLOSED, REPRODUCED, DISTRIBUTED OR TRANSMITTED IN ANY FORM OR BY ANY MEANS WITHOUT PRIOR WRITTEN PERMISSION.</small>			
DRG No 028627-02		REV 1	SHEET 1 of 1
			A3

