

MINI-KAL2AS

Specifications:

Voltage: 3VDC \pm 0.4V (VDD)

Current: 5 μ A typical, 10 μ A max. at 10 kHz

Display: 8 digit 8mm character height black LCD

Temperature Range:

Operating: +14 to 122°F (-10 to 50°C)

Storage: -14 to 140°F (-20 to 60°C)

Signal Inputs:

COUNT INPUT: Electronic input 10KHz max., negative edge triggered, 0.7V threshold, minimum pulse length 50 μ S, TTL/CMOS compatible.

COUNT INPUT: Contact closure/open collector input, 30 Hz max, negative edge triggered, 0.7V threshold, minimum pulse length 15 mS.

DIRECTION: TTL/CMOS compatible.

Add—logic 1 (VDD)

Subtract—logic 0 (0 to 0.7 V)

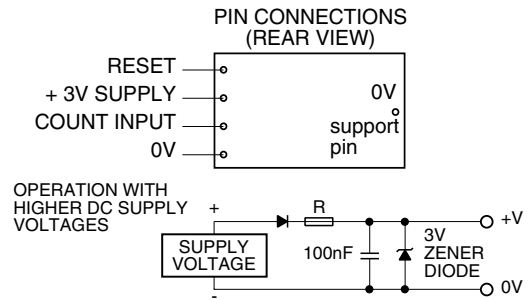
EXTERNAL RESET: Contact closure/open collector input, negative edge triggered, 0.7V threshold, minimum pulse length 15 mS.

Connections: 6 PCB mounting pins on a 0.1 inch pitch.

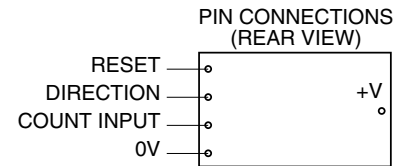
Approvals: UL File: E135458, CSA File: LR96702, CE Approved

Wiring:

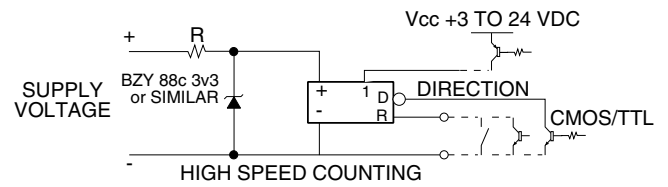
MINI-KAL1 Hookup



MINI-KAL-DASHookup

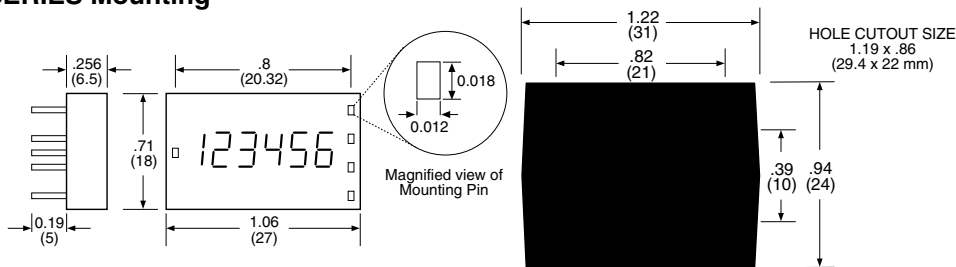


MINI-KAL2AS Hookup



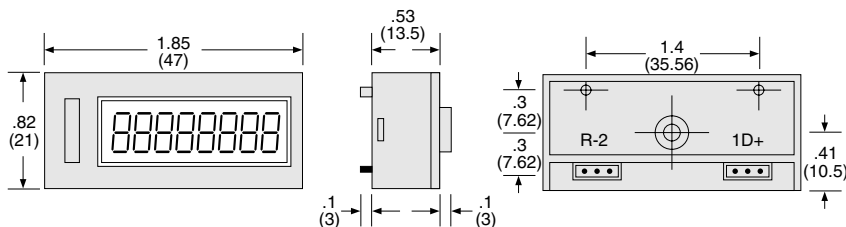
Mounting:

MINI-KAL1 SERIES Mounting



MINI-KAL1 SERIES with KALPM1 panel adaptor clips into panel .050 to .125 thick

MINI-KAL2AS Mounting



How To Order:

- MINI-KAL1 6 digit adding counter
- MINI-KAL1AS 6 digit add/subtract counter
- KALPM1 MINI-KAL panel mount adaptor
- MINI-KAL2AS 8 digit add/subtract counter
- MINI-KAL2ASNR Non-reset MINIKAL2AS (non-reset)

* For no reset, add "NR" to part number