

HVA

Preset Hour Meter

Features

- Rugged Case
- Varied Mounting Styles
- Manual Reset
- 5 Amp Switch
- Times Up to Preset
- Preset Displayed Permanently



Application:

Perfect adding preset timer for chemical processes, electroplating baths, controlling periods of time, and endurance tests.

Description:

Dual display 5 digit, preset. These units feature two registers, one for the set point, one for the actual time. Change setpoint during a run with front panel buttons. Manual reset on front panel. Upon reaching preset, a 5 amp Form C switch trips. The timer continues timing to register actual time elapsed. Panel or spring clip mount; accepts most voltages AC/DC; keylock transparent cover available.

Specifications:

Display: 4 hour digits-white on black, 1 decimal digit-red on black.

Digits: Preset (.157"), counting (.197")

Resolutions: Hours 1/10

Operating Voltages: 12, 24, 48VDC; 24, 48, 110, 220VAC.

Power Consumptions: 1.5W, DC; 2.2 VA, AC.

Switching: 5 amp Form C transfers at preset.

Switch Rating: AC load max. 250V 5A DC load max 12V 3A; 24V 2A.

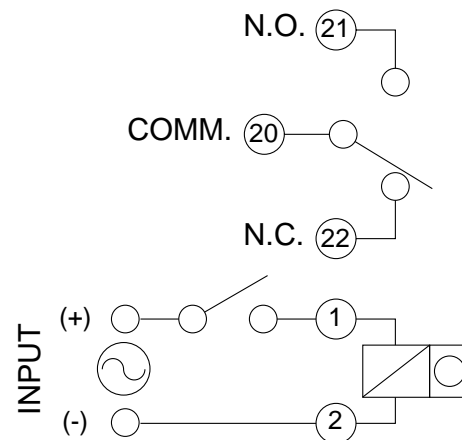
Arc suppression recommended for inductive load.

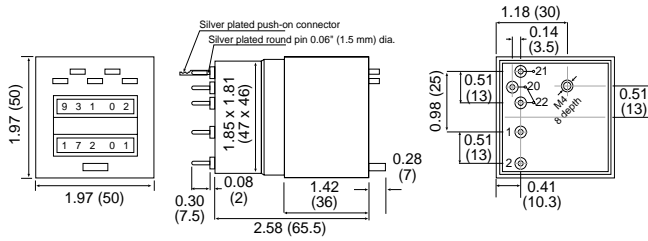
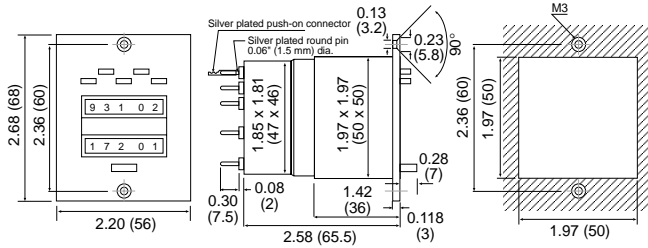
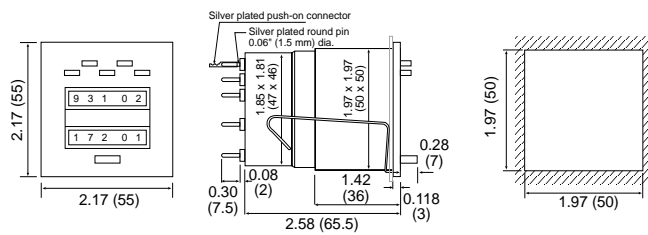
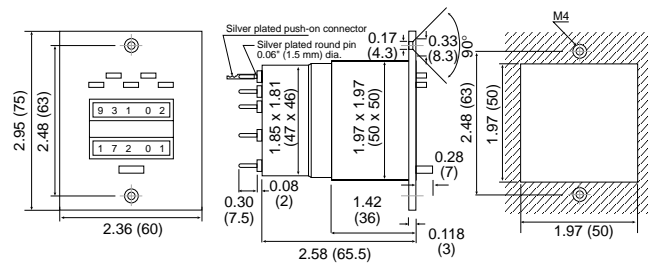
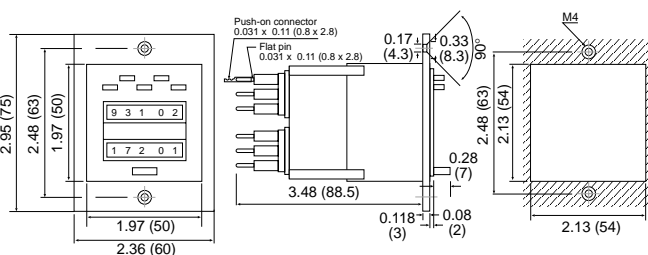
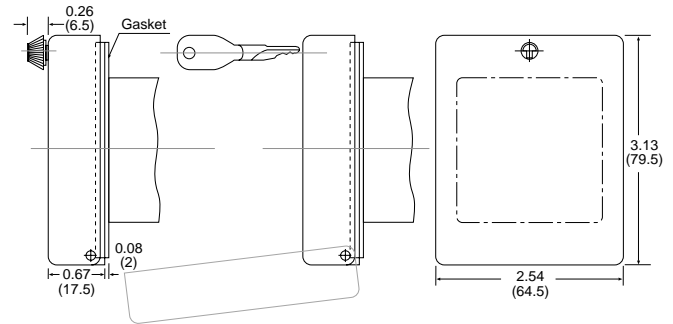
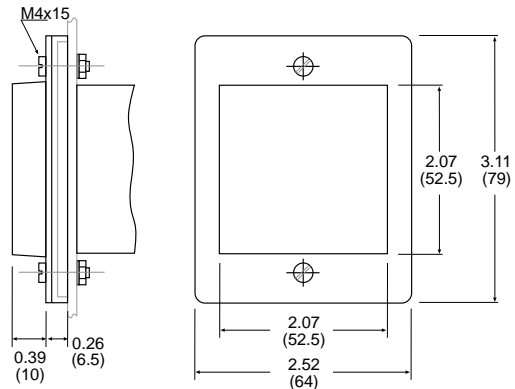
Temperature: (-10°C to +50°C) +12°F to ±122°F.

Weight: 5 oz.; including frame, 7 oz.

Approvals: CE Approved

Wiring:



0 Mounting Style:

1 Mounting Style:

2 Mounting Style:

3 Mounting Style:

F2B Option:

F2DV Option:

F2DVS Option:
K2 Option:

How To Order:

EXAMPLE: HVA15 1 1 110VAC 60Hz

Series _____

Mounting _____

- 0 = Rear stud mount
- 1 = Screw panel
- 2 = Spring clip
- 3 = Large screw panel

Reset _____

- 1 = Manual push button

Voltages (specify) _____

- 12, 24, 48 VDC
- 24, 48, 110 and 220 VAC

Frequency (AC only) _____

- 50 or 60 Hz

Available Options (add to end of part number)

- K2 - Silicon cover
- F2 - Frame w/ Socket Box
- F2DVS - Frame w/ locking cover & Socket Box
- F2DV- Frame w/ knob cover & Socket Box
- US - Key reset
- DVS -Locking cover without Frame
- DV - Knob cover without Frame
- N7 - Explosion proof housing (see accessories section)