

HC77

Combination Hour Meter & Totalizer

Features

- Dual 7 digit display w/characters magnified to .157" (4mm)
- Low Cost
- Isolation protection to VDEO435.
- AC or DC Voltages



Description:

This combination meter comprises a running time totalizer and an adding counter with a separate 7 digit display for each. In the standard version, the two meters are connected in parallel; the totalizer counts the number of pulses while the time meter totalizes the connect time. The time meter displays to hundredths of an hour (36 second intervals). A red visual indicator shows that the unit is operating. The unit is supplied with a clamp clip attachment for mounting and 2.16" x 2.16" (55mm) and 2.16" x 2.16" (72 x 72 mm) bezels are available as accessories. On AC models, the main supply (50 or 60 Hz) is used as the frequency standard. On DC models, the frequency is quartz crystal controlled.

Applications:

- Heating and utility system monitoring
- Machine run time monitoring and maintenance
- Refrigeration systems
- Water treatment equipment
- Compressors
- Industrial washing equipment

Specifications:

Termination: Flat tabs .031 x .250" with screw terminal

Voltages: 24, 110, 220 VAC +15%, 50 Hz or 60 Hz
12 to 24, 36 to 80, 110 VDC ± 10 %

Power Consumption:

Appr. 2.5 VA at 220 VAC; Appr. 220 mW at 12 VDC

Ambient temperature:

-15° to +50°C on AC; -20° to +60°C on DC

Environmental Protection: IP42, DIN 40 050 from front

Hour range: AC Units: 99999.99 hours
DC Units: 999999.99 hours

Count range: 9999999 counts

Display: Dual display with characters magnified to 0.157" (4mm) high.

Color of Figures:

White on black for hours, red on white for decimal hours
White on black for totalizing counter.

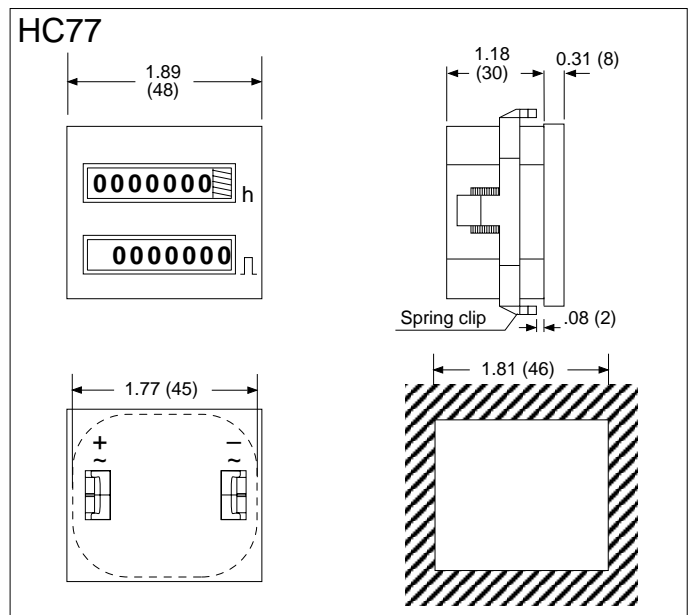
Color of Housing: Black

Operation indicator: Fast rotating, red

Weight: 2.3 Oz. (65g)

Approvals: CE Approved, UL Listed; File# E128604

Dimensions:



How To Order:

EXAMPLE: HC77 24VAC 60Hz SC

Series

HC77 = Panel Mount

HC77.55 = Extended 2.16" x 2.16"
Bezel for 2" diameter cutout

HC77.72 = Extended 2.83" x 2.83"
Bezel for 2" diameter cutout

Voltages

12VDC (12 to 24 VDC)

36VDC (36 to 80 VDC)

110VDC (110 VDC ± 15%)

24V (AC Voltages ±10%)

110V (AC Voltages ±10%)

220V (AC Voltages ±10%)

Frequency (AC units only)

50 or 60Hz (Specify)

Options:

SC = Separate Connections