

H57

Low Cost Hour Meter

Features

- UL Listed, CE Certified
- Low Cost
- 7 Digit Display (99999.99 Hours)
- AC or DC Voltages
- Small Case

Description:

These meters are mainly used for monitoring the running time of machines, apparatus and instruments as well as for recording maintenance time, warranty time or rental use time. A synchronous motor operating through a gear train drives the number wheels for the display of full hours 1/10 h and 1/100 h. On AC-versions, the main supply (50 or 60 Hz) is used as frequency standard. On DC-versions the exact frequency generated by means of a quartz crystal. A rugged and completely insulated plastic housing provides substantial protection against environmental influences.

Specifications:

Termination: Flat tabs .031 x .250" with screw terminal
Voltages: 24, 110, 220, 440 VAC +15%, 50 Hz or 60Hz
 12 to 24, 36 to 80, 110 VDC ± 10 %
Test Voltage: 2000V, 50 Hz
Ambient temperature:
 -15° to +50°C on AC; -20° to +60°C on DC
Power Consumption:
 Appr. 2 VA at 220 VAC; Appr. 180 mW at 12 VDC
Hour range: AC Units: 99999.99 hours
 DC Units: 999999.99 hours

Height of Figures: 4 mm

Color of Figures:

Hours: white on black, Decimals: red on black

Color of Housing: Black

Operation indicator: Fast rotating, white

Approvals: UL Listed: File # E128604X, CE Approved

Weight: AH57: 84g; H57 48g

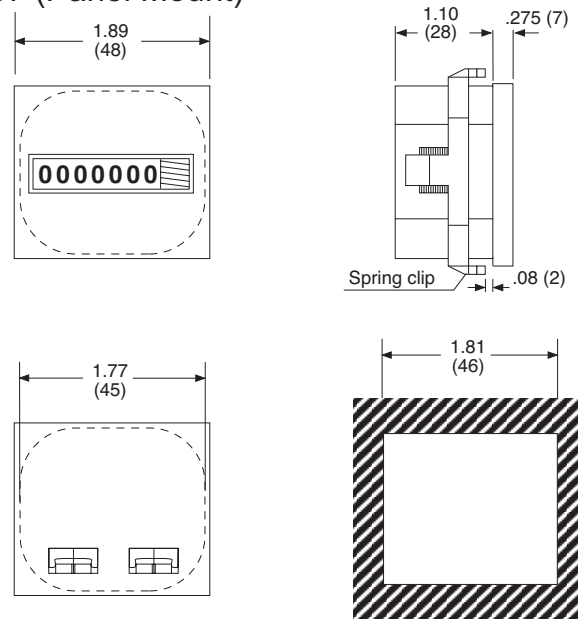
How To Order:

EXAMPLE:	H57	24VAC	60Hz
Series	H57 = Panel Mount AH57 = Base Mount H57.55 = Extended 2.16" x 2.16" Bezel for 2" diameter cutout H57.72 = Extended 2.83" x 2.83" Bezel for 2" diameter cutout		
Voltages	12, 24, 36, 80, 110 VDC 24, 40, 110, 220, 440 VAC		
Frequency (AC units only)	50 or 60Hz (Specify)		
Accessories	DR-4 = 4 DIN Rail (DIN 46277)		



Dimensions:

H57 (Panel Mount)



AH57 (Base Mount) & DIN Rail Mount

