

Shunt Signal Conditioner

For DC Current Measurement



0-1VDC High Resolution Input

for DC Current Shunts on low side applications

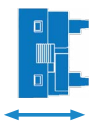
0.1%
Accuracy



User-configurable settings via the free, easy-to-use software



DIN Rail Mount
Compact design for simple installation



Less than 62mm deep



Remote monitoring with APM Gateway and Trumeter Cloud



2 Outputs
Digital (open collector) or Analog (4-20mA)



10 alarm set points



The Shunt Signal Conditioner features a 0–1 VDC high-resolution input for precise current measurement with DC shunts in low-side applications. Its sensitivity ensures accurate tracking of small voltage signals, ideal for applications where efficiency, safety, and equipment protection depend on exact measurement. By simplifying low-side measurement and reducing isolation requirements, it offers a cost-effective solution for battery monitoring, energy storage, DC power supplies, data centers, industrial automation, and R&D testing.

Designed for DIN rail mounting, the unit combines precision with versatility, with user-configurable scaling and settings, making it suitable for a wide range of industrial environments. It integrates seamlessly with other control and monitoring systems through configurable digital and analog outputs.

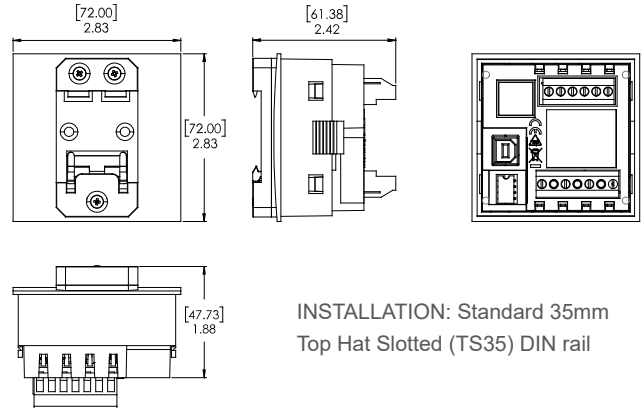
For extended functionality, the Shunt Signal Conditioner can be paired with the APM Gateway to connect directly to Trumeter Cloud. This secure connection enables remote monitoring, data logging, and alerts via email or online dashboard, with SMS alerts available as an option. Unlocking full visibility and actionable insights into system performance anytime, anywhere.

Programmable

Simply connect to any USB port on your PC, launch the free configurator software, and start configuring.

- Scale (offset, gain and linear) and Range (min and max).
- 20 point non-linearization scaling for non-linear sensors.
- Ten independent alarm set-points.
- Configurable digital output delays (control the time output stays open/closed - .5 seconds – 120 seconds).

Dimensions



Specification

INPUT

Range	0-1 VDC
Impedance	1 Meg
Accuracy (0-200mV)	0.1% or 0.5mV (whichever is greater)
Accuracy (201-1,000mV)	0.2%

ENVIRONMENTAL

Temperature - operating	-10 to +60°C
Temperature - storage	-40 to +70°C
IP rating	IP20

POWER SUPPLY

Nominal Input	12-24V DC
---------------	-----------

OUTPUTS

Max voltage	34V
Max current	500mA
Analogue output	4-20mA

CERTIFICATION

UL, cUL, CE



Part Numbers

SC-SHUNT-DIN	Shunt Signal Conditioner, DIN Rail Mount
022128-01	USB Cable

We can **customize our Signal Conditioners** to match your requirements, adding extra **functionality** or **communication protocols** to suit your needs. If you can't find what you're looking for, **ask about our custom solutions!**

