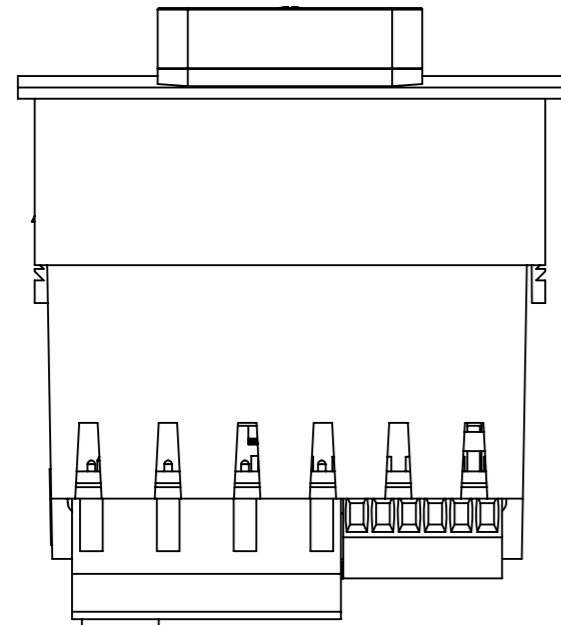
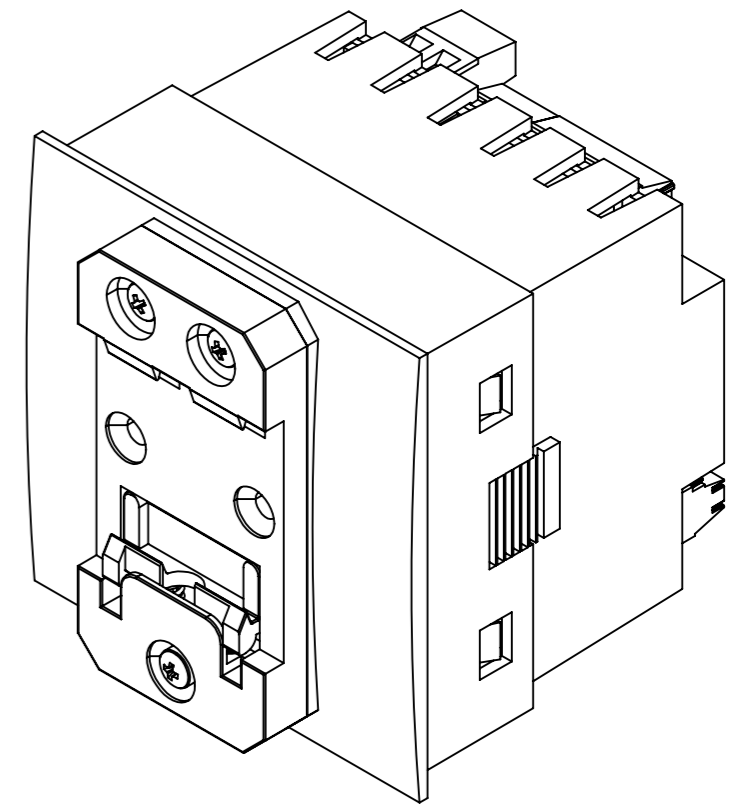
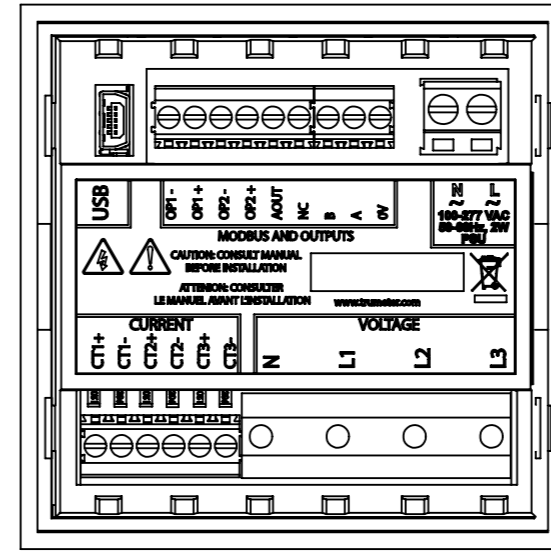
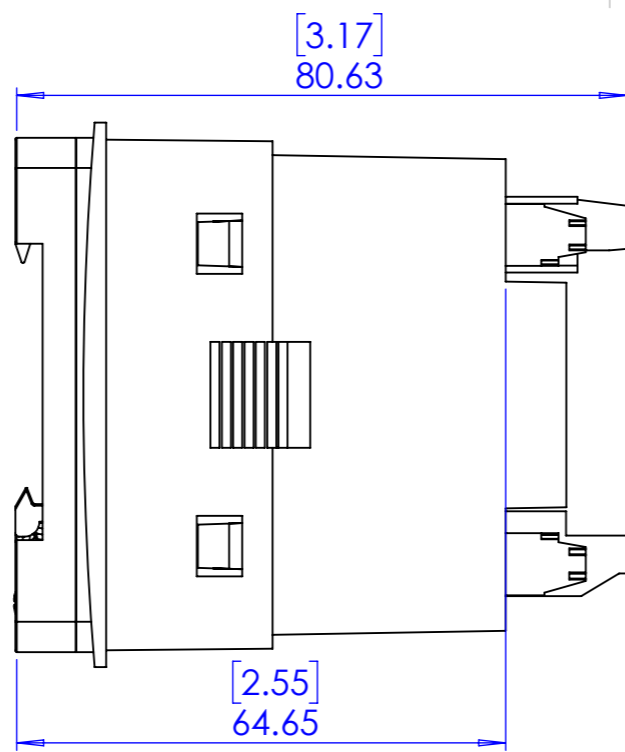
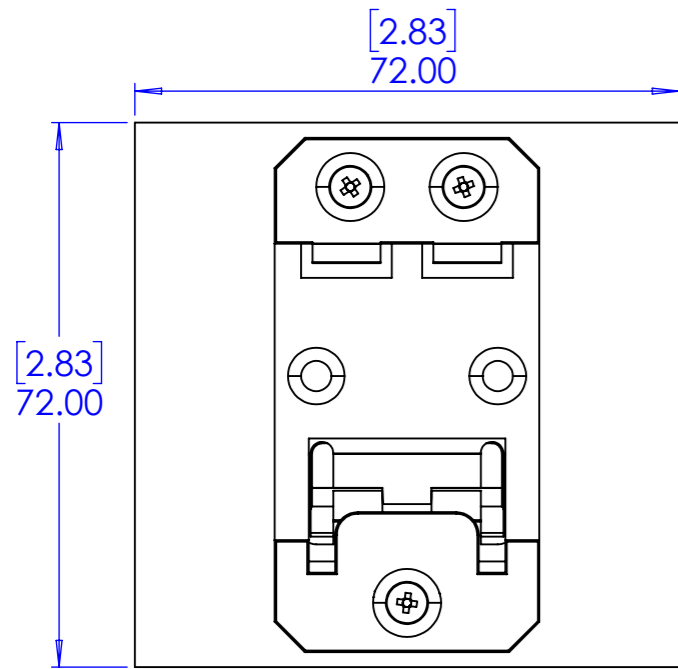
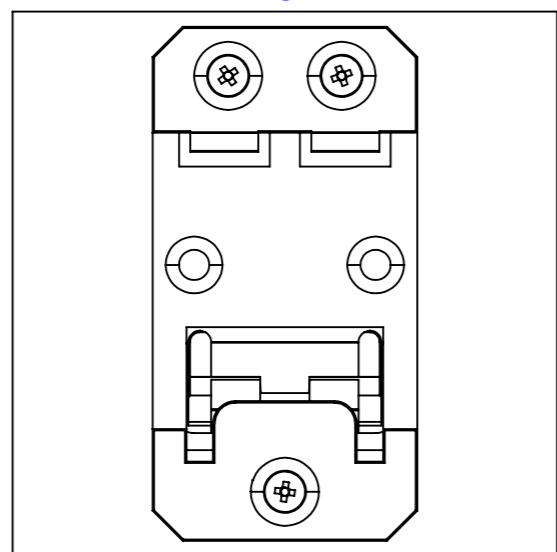


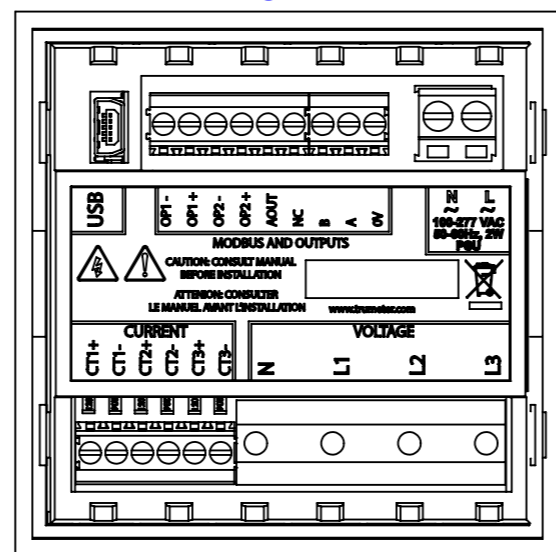
Released



TOP



TOP



MATERIAL	FINISH		WEIGHT
ALL DIMENSIONS ARE IN MM UNLESS OTHERWISE STATED	TITLE <b>SC-PWR-DIN</b>		
SCALE	ITEM No		
DO NOT SCALE IF IN DOUBT ASK	DRAWN	CHECKED	APPROVED
<p>THIRD ANGLE PROJECTION</p>	<b>AP</b>	<b>MS</b>	<b>HK</b>
	<p><b>COPYRIGHT AND CONFIDENTIAL</b></p> <p>© ALL RIGHTS RESERVED. THIS DOCUMENT AND THE INTELLECTUAL PROPERTY CONTAINED HEREIN ARE THE PROPERTY OF TRUMETER. NO PART OF THIS DOCUMENT MAY BE DISCLOSED, REPRODUCED, DISTRIBUTED OR TRANSMITTED IN ANY FORM OR BY ANY MEANS WITHOUT PRIOR WRITTEN PERMISSION.</p>		
DRG No	REV <b>2B</b>	SHEET 1 of 1	<b>A3</b>