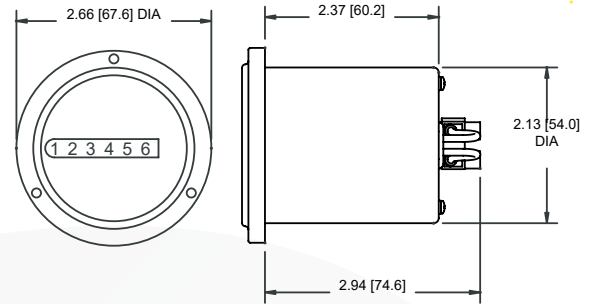


720 Series

Electromechanical Hour Meter



Panel cutout: 2.16" [54.9] Dia.
Mounting holes: 0.125" [3.2] Dia. on 2.44" [62.0] B.C.

6 figure (non-reset), AC hour meter encased in a rugged steel housing. The non-reset models are completely sealed.

Key Features

- Rugged steel housing
- Options include:
 - Chrome bezel
 - Readouts to 9999.99 hrs.
 - Gasket (721-0004)

Applications

- Control panel
- Industrial equipment
- Test equipment

Specification

Figures: 6 figure (non-reset), 0.19" [5mm] high,
99,999.9 (non-reset)

Reset: Non-reset

Voltages: 115VAC (+/- 10%), 60Hz.

Power: 3 watts max.

Mounting: Panel (3-hole or metal clamp)

Termination: 6" [152mm] wire leads

Temp. Range: -40°F to +160°F [-40°C to +70°C]

Approvals: UL Recognized, CE Compliant, ROHS

Weight: 10 oz. [284g]

Part Numbers

720-0007 115VAC/60Hz, non-reset, 3-hole round, 6" [152.4mm] wire leads

720-0011 115VAC/60Hz, non-reset, metal clamp, 6" [152.4mm] wire leads

