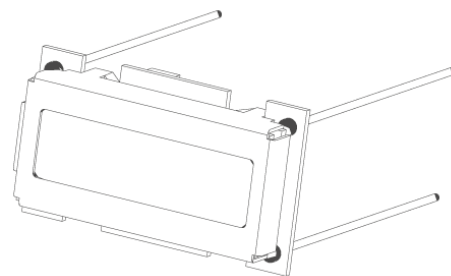


# K192

## LCD Counter Module for PCB Mount



A non-reset, LCD counter for PCB mounting, the K192 is a versatile totalizer for use in a range of applications including portable devices, vending and gaming machines, printers and copiers. It features an easy to read 6 digit LCD display, EEPROM backup and wide supply voltage of 8 – 28V DC, making it a small and cost effective solution.

### Key Features

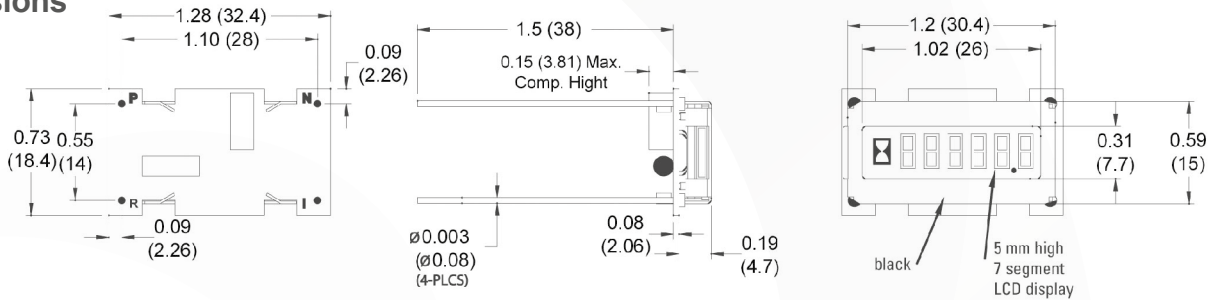
- Suitable for portable devices, vending and gaming machines, printers and copiers
- Can be used for simple counting, length and distance measurement
- Non-volatile memory (no battery)
- Wide temperature range and wide voltage supply range
- Very high reliability
- Small size and low cost
- Low operating current
- Very high shock and vibration resistance

## Specifications

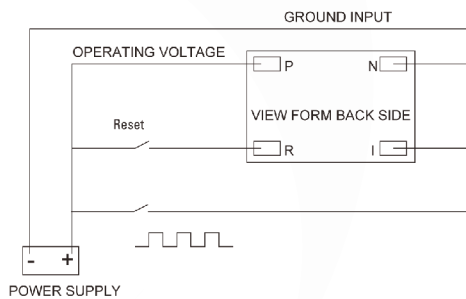
<b>Supply</b>	8 ... 28 V DC with reverse polarity protection	<b>EMC</b>	According to EC EMC directive 89/36/ EWG
<b>Current consumption</b>	mA maximum at 8 ... 24 V DC mA at 28 V DC	<b>Interference emission</b>	EN 50081-2/EN 55 011 Class B
<b>Count and reset input</b>	8 ... 28 V DC	<b>Interference resistance</b>	EN 61000-6-2
<b>Max. Count frequency</b>	100 Hz	<b>Weight</b>	Approximately 8g
<b>Display</b>	6-digit display, figure height 5 mm	<b>Memory capacity</b>	CMOS EEPROM. Nonvolatile memory has data retention in excess of 10 years without power.
<b>Data backup</b>	EEPROM	<b>Protection from</b>	inductive switching, alternator load dump
<b>Housing</b>	Dimension 19 x 33 mm, Color: black	<b>Certification</b>	RoHS
<b>Operating Temperature</b>	-40 ... +85 °C		
<b>Humidity</b>	95 % RH +32 C for 2 hours		

## Diagrams

### Dimensions



### Wiring



## Part Numbers

**K192** LCD PCB Mount Counter

