

HR76

Hour Meter

Features

- 6-digit hour meter for round panel cut out
- Low cost
- High shock resistance
- Low power consumption
- Small dimension
- magnified figures
- waterproof
- Protection: NEMA4/IP 65
- Data retention if power is lost
- UL-approval

Applications:

general timing, utility vehicles, construction machines, generators, fork-lift trucks, car washes, outside areas

Specifications:

Electrical connection:	Flat pins 0.8 x 6.3
Power consumption:	AC max. 0.4 VA 12 V DC: max. 0.08 W 48 V DC: max. 0.7 W
Rated voltages:	115/230 V AC, $\pm 10\%$, 50/60 Hz, 10 ... 80 V DC
On time:	100 %
Display:	6 (99999.9 h)
Time mode:	adding
Height of figures:	3.5 mm
Colour of figures:	white on black
Reset:	no
Ambient temperature:	-30 ... +65 °C
Mounting position:	any
Protection:	NEMA4/IP 65
Housing:	Plastic
Weight:	HR 76.1: 56 g HR 76.2: 54 g
Options:	Accuracy: < 0.02% over the full range
Approvals:	UL



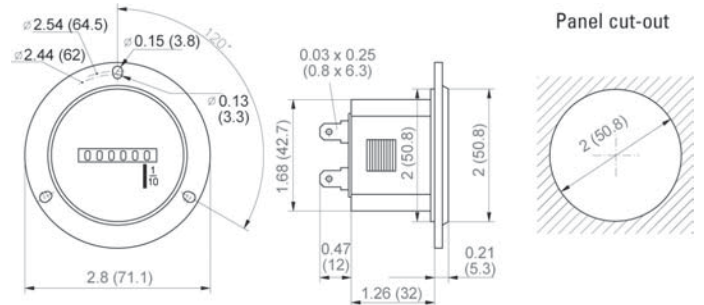
HR76.1



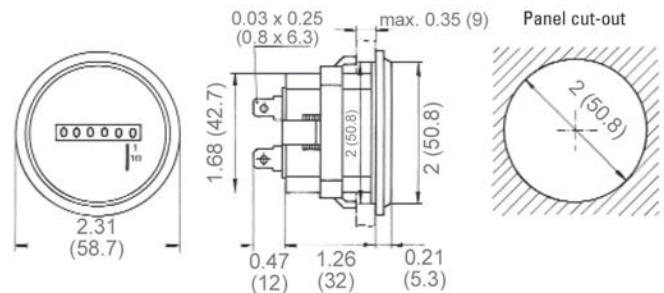
HR76.2

Dimensions:

HR76.1



HR76.2



How To Order

EXAMPLE: HR76.1 1

Series

HR76.1
HR76.2

Operating Voltage

1 = 10-80 VDC
2 = 115 VAC
3 = 230 VAC