

HR47

Round Hour Meter with Run Indicator

Features

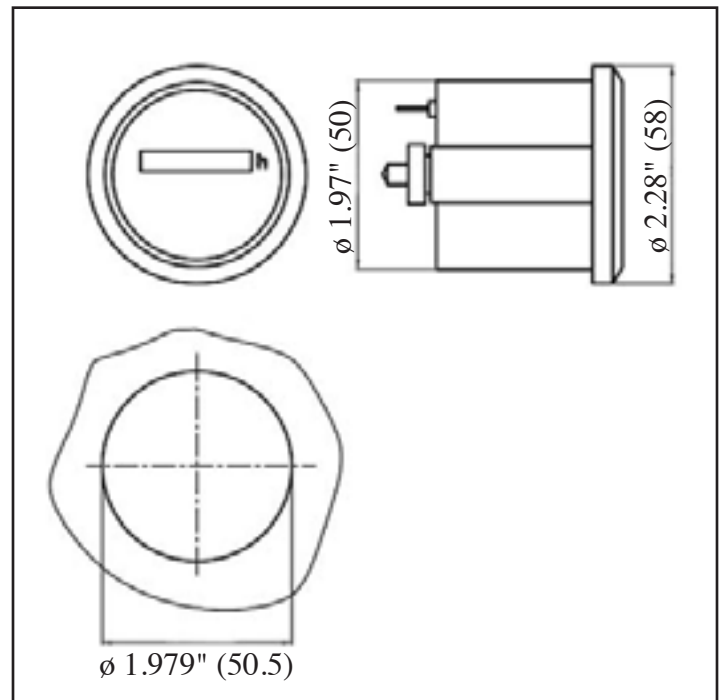
- For voltage ranges 10 ... 80 V DC, 100 ... 130 V AC and 187 ... 264 V AC
- Large optical figures, 7-digit
- Suitable for any mounting position
- Non-reset; tamper-proof
- With run indicator
- For panel cut-out \varnothing 50.5 mm with frontpanel dimensions \varnothing 58 mm
- High shock and impact resistance
- Simple, secure mounting screwed clamping clip
- Protection IP65; NEMA4 (front side)



Specifications:

Electrical connection	screw terminal for flat pin connector 6,3 x 0,8 mm
Power consumption	10 ... 80 V DC max. 720 mW 100 ... 130 V AC, 60 Hz max. 1,1 VA 187 ... 264 V AC, 50 Hz ca. 1,2 VA
Rated voltages	100 ... 130 V AC, 60 Hz 187 ... 264 V AC, 50 Hz 10 ... 80 V DC
On time	100 %
Display	AC 99999,99 h DC 999999,9 h
Resolution	AC 0,01 h corresponds to 36 s DC 0,1 h corresponds to 6 min
Count mode	adding
Height of figures	4 mm [0.158"]
Colour of figures:	white and red on black
Ambient temperature	AC -25° ... +80 °C DC -20° ... +70 °C
Relative humidity	< 95% (non condensing)
Mounting position	any
Protection (EN 60 529)	IP 65; NEMA4
Housing	plastic PC (Polycarbonate)
Accuracy	AC + 0,02% DC + 0,002%
Weight	ca. 50 g
Run indicator	AC: fast rotating wheel in viewing window DC: LED

Dimensions:



Ordering Information

EXAMPLE: HR47 1

Series: _____
 HR47 hour meter

Operating Voltage: _____
 1 = 10-80 VDC
 2 = 100-130V AC/60Hz
 3 = 187-264V AC/50Hz