

HC77

Combination Hour Meter and Totalizer



This combination meter comprises a running time totalizer and an adding counter with a separate 7 digit display for each. In the standard version, the two meters are connected in-parallel; the totalizer counts the number of pulses while the time meter totalizes the connect time. The time meter displays to hundredths of an hour (36 second intervals). A red visual indicator shows that the unit is operating. The unit is supplied with a clamp clip attachment for mounting and 2.16" x 2.16" (55mm) and 2.16" x 2.16" (72 x 72 mm) bezels are available as accessories. On AC models, the main supply (50 or 60 Hz) is used as the frequency standard. On DC models, the frequency is quartz crystal controlled.

Key Features

- Dual 7 digit display w/characters magnified to.157" (4mm)
- Low Cost
- Isolation protection to VDEO435.
- AC or DC Voltages

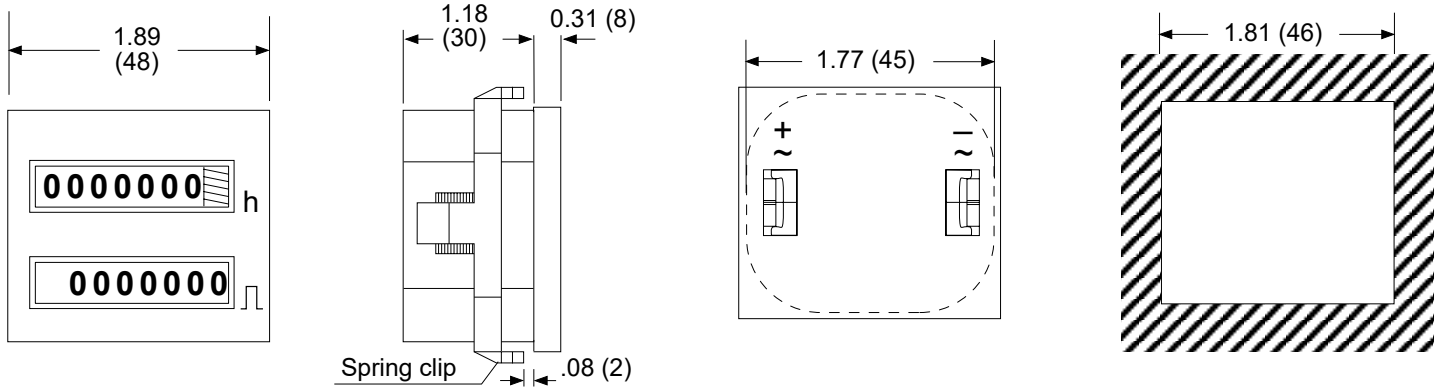
Applications

- Heating and utility system monitoring
- Machine run time monitoring and maintenance
- Refrigeration systems
- Water treatment equipment
- Compressors
- Industrial washing equipment

Specification

Termination	Flat tabs .031 x .250" with screw terminal
Voltages	24, 110, 220 VAC +15%, 50 Hz or 60 Hz, 12 to 24, 36 to 80, 110 VDC \pm 10 %
Power Consumption	Appr. 2.5 VA at 220 VAC; Appr. 220 mW at 12 VDC
Ambient Temperature	-15° to +50°C on AC; -20° to +60°C on DC
Environmental Protection	IP42, DIN 40 050 from front
Hour Range	AC Units: 99999.99 hours / DC Units: 999999.99 hours
Count Range	9999999 counts
Display	Dual display with characters magnified to 0.157" (4mm) high.
Color of Figures	White on black for hours, red on white for decimal hours / White on black for totalizing counter.
Color of Housing	Black
Operation Indicator	Fast rotating, red
Weight	2.3 Oz. (65g)
Approvals	CE Approved, UL Listed; File# E128604

Dimensions



Part Number Ordering Chart

Example: **HC77** **24VAC** **60Hz** **SC**

Series

HC77	Panel Mount
HC77.55	Extended 2.16" x 2.16" Bezel for 2" diameter cutout
HC77.72	Extended 2.83" x 2.83" Bezel for 2" diameter cutout

Voltage

12VDC	12 to 24 VDC
36VDC	36 to 80 VDC
110VDC	110 VDC \pm 15%
24V	AC Voltages \pm 10%
110V	AC Voltages \pm 10%
220V	AC Voltages \pm 10%

Frequency (AC units only)

50 or 60Hz (Specify)

Options

SC Separate Connections