

# H57 Series

## Economical, Dependable Hour Meter



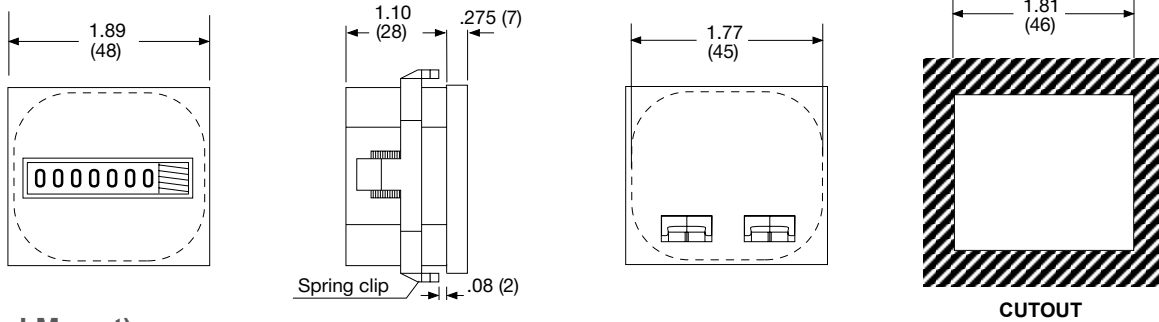
This reliable, low-cost hour meter is ideal for tracking the operating time of machinery, equipment, and instruments. It's commonly used for logging maintenance intervals, warranty periods, and rental usage.

The meter uses a synchronous motor (AC models) or a quartz crystal oscillator (DC models) to ensure precise timekeeping. Time is displayed in hours, tenths, and hundredths (1/10 h and 1/100 h) on a clear 7-digit display. Encased in a compact, fully insulated plastic housing, it offers excellent protection against harsh environmental conditions, making it a dependable choice for industrial applications.

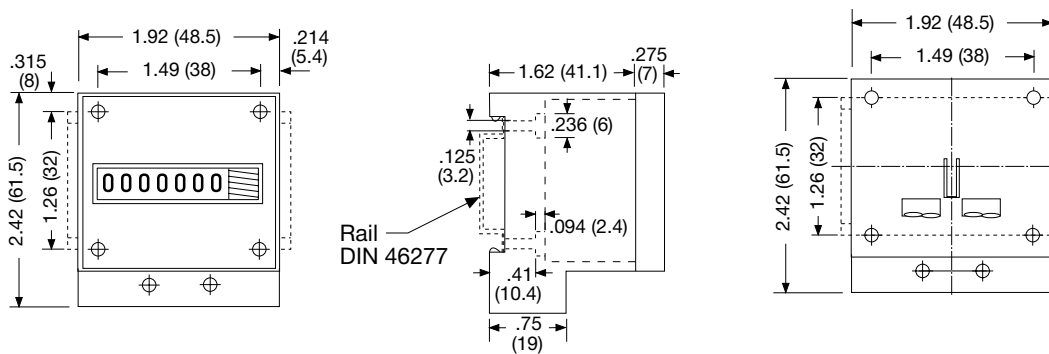
### Specifications

<b>Termination</b>	Flat tabs .031 x .250" with screw terminal
<b>Voltages</b>	<b>AC:</b> 24, 110, 220, 440 VAC +15%, 50 Hz or 60Hz <b>DC:</b> 12 to 24, 36 to 80, 110 VDC ± 10 %
<b>Test Voltage</b>	2000V, 50 Hz
<b>Ambient temperature</b>	<b>AC:</b> 5°F to 122°F (-15°C to +50°C) <b>DC:</b> -4°F to 140°F (-20° to +60°C)
<b>Power Consumption</b>	Appr. 2 VA at 220 VAC; Appr. 180 mW at 12 VDC
<b>Hour range</b>	<b>AC Units:</b> 99999.99 hours <b>DC Units:</b> 999999.99 hours
<b>Height of Figures</b>	4 mm
<b>Color of Figures</b>	<b>Hours:</b> white on black, <b>Decimals:</b> red on black
<b>Color of Housing</b>	Black
<b>Operation indicator</b>	Fast rotating, white
<b>Approvals</b>	UL Listed: File # E128604X, CE Approved
<b>Weight</b>	H57 48g AH57: 84g

## Product Dimensions



### H57 (Panel Mount)



### AH57 (Base Mount) & DIN Rail Mount

## Part Numbers

Example:

H57

24VAC

60Hz

### Series

H57 Panel Mount

AH57 Base Mount

H57.55 Extended 2.16" x 2.16" Bezel for 2" diameter cutout

H57.72 Extended 2.83" x 2.83" Bezel for 2" diameter cutout

### Voltages

VDC 12, 24, 36, 80, 110

VAC 24, 40, 110, 220, 440

### Frequency (AC units only)

50Hz

60Hz

### Accessories

DR-4 4 DIN Rail (DIN 46277)



#### Trumeter (The Americas)

6601 Lyons Rd, Suite H-7  
Coconut Creek, Florida  
FL 33073,  
USA  
Tel: +1 954 725 6699  
Email: [sales.usa@trumeter.com](mailto:sales.usa@trumeter.com)

#### Trumeter (Europe)

Pilot Mill  
Alfred Street  
Bury,  
BL9 9JR  
Tel: +44 161 674 0960  
Email: [sales.uk@trumeter.com](mailto:sales.uk@trumeter.com)

#### Innovative Design Technologies Sdn. Bhd

Lot 5881, Lorong Iks Bukit Minyak 1  
Taman Perindustrian Iks, 14000 Bukit Tengah  
Penang, Malaysia  
Web: [www.idtworld.com](http://www.idtworld.com)  
Tel: + 604 5015700  
Email: [sales.my@idtworld.com](mailto:sales.my@idtworld.com)