

ET 14

24-Hour, 7-Day

Electronic Timer Module



The ET 14 is a compact electronic 24 hour/ 7 day time switch module with heavy duty relay contacts for switching low or line voltage loads. Applicable for time of day control of pumps, fans, heaters, HVAC control circuits, lighting, machinery and many other types of commercial, industrial, and agricultural equipment.

The ET 14 features large keys with a unique backlit LCD screen that allows for viewing in dark locations. It is simple to program and incorporates a rechargeable Ni-MH battery that holds programs and keeps time for up to 60 days.

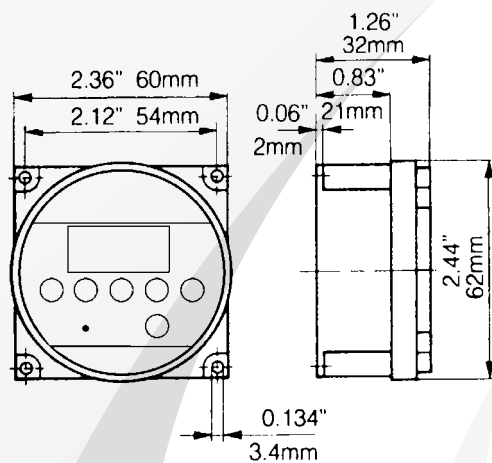
Features

- Integrated MOV surge protection assures reliable operation
- Thermal fuse protects unit in the event of overload
- 1/4" quick terminals for easy wiring connection
- Rechargeable Ni-MH battery holds program and keeps time for up to 60 days
- Block programming reduces number of events: MON-SUN, MON-FRI, SAT-SUN, MON-SAT, MON-WED-FRI
- Backlit LCD illuminates in the dark
- 14 programs for maximum 98 weekly ON/OFF events

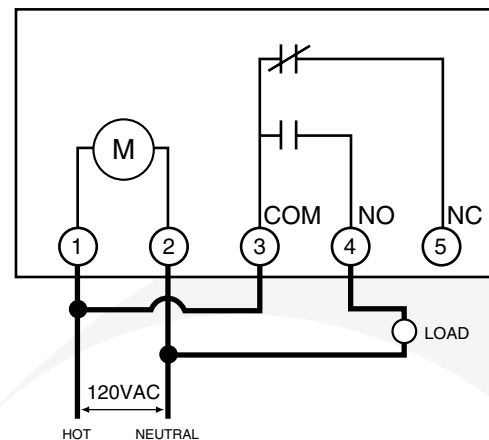
Technical Specification:

Wiring Connection:	1/4" Quick Terminals
Supply Voltage:	125VAC, 60 Hz
Switch Output:	SPDT (Form C Relay Contacts)
Switch Rating:	15A General Purpose/Resistive @125VAC 1000W Tungsten @125VAC 1/2HP @125VAC
Battery Back-Up:	Rechargeable Ni-MH (Holds program and keeps time for up to 60 days)
Operating Temperature:	-10°C to + 55°C
Accuracy:	± 1 sec/day at 20°C
Number of Programs:	7 ON, 7 OFF
Block Programming:	MON-SUN, MON-FRI, SAT-SUN, MON-SAT, MON-WED-FRI
Shortest Switching Time:	1 Minute
Display:	Backlit LCD (Illuminates in the dark)
Protection:	MOV and Thermal Fuse
Approvals:	UL & cUL

Dimensions



Wiring Diagram



Ordering Code

ET14 - ET14 Electronic Timer Module

www.trumeter.com



www.trumeter.com

North America Office
Trumeter
702 S. Military Trail
Deerfield Beach, Florida
FL 33442, USA
Tel: +1 954 725 6699
Email: sales.usa@trumeter.com

UK Office
Trumeter
Pilot Mill, Alfred Street
Bury, Lancashire
BL9 9EF
Tel: +44 161 674 0960
Email: sales.uk@trumeter.com

Asia Pacific Distributor
Innovative Design Technologies Sdn. Bhd
Lot 5881, Lorong Iks Bukit Minyak 1
Taman Perindustrian Iks, 14000 Bukit Tengah
Penang, Malaysia
Web: www.idtworld.com
Tel: + 604 5015700
Email: info@idtworld.com