

## 7511 Series

Self-Powered LCD Electronic Timer with Optional High Voltage Input



8-digit liquid crystal display timer, self-powered with a 10-year battery life. A compact LCD timer designed for many applications, screw terminals ensure fast wiring. Features include backlighting (external 5VDC supply required), 4 timing modes, timing direction indication and 9mm high digits. High Voltage (HV) version accepts input voltages of 5-110VDC or 10-240VAC.

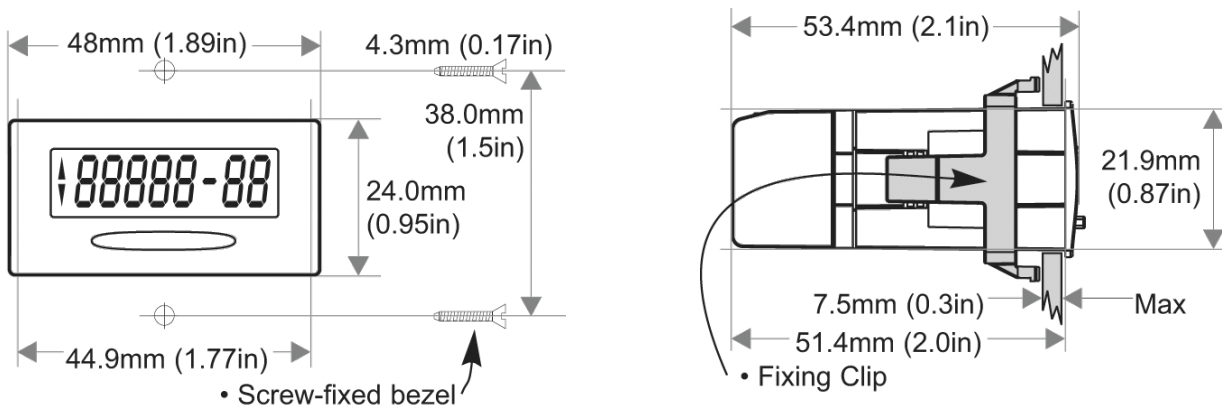
### Key Features

- Use of the latest CMOS circuitry achieves an expected battery life of 10 years.
- 9mm black high contrast LCD display.
- Backlight (externally powered) 5VDC.
- Minimum contact closure time 1 second.
- Four timing modes.
- Times up or down.
- External reset input.
- Choice of mounting available - front panel with supplied bezel or rear mounting clip.
- Front panel can be sealed to IP65.
- Simplified installation- all models have screw connections on rear for quick and simple connection.
- CE,UL and cUL approved
- 7511HV permits triggering from any voltage between 10-240VAC or 5-110VDC  $\pm 10\%$ .

## Common Specifications

<b>Battery life</b>	10-years typical
<b>Display</b>	8-digit black LCD, 9mm characters with leading zero blanking
<b>Timing Ranges</b>	Seconds, minutes and seconds; hours and 1/100ths and hours and minutes
<b>Timing Input (HV Version)</b>	Sink signal (NPN) 18VDC maximum threshold 1VDC negative edge trigger 10 – 240VAC ±10%, 5 – 110VDC ±10%, Opto-Isolated
<b>Direction Input</b>	Up not connected, down connected to common
<b>Operating Temp</b>	-10°C to +60°C [14°F to 140°F]
<b>Storage Temp</b>	-20°C to +70°C [-4°F to 158°F]
<b>Material</b>	Clear polycarbonate
<b>Environmental Protection</b>	IP65 / NEMA 4X
<b>Weight</b>	62g [2.2oz.]
<b>Accuracy (at 25 deg C):</b>	+/-0.002%
<b>Temperature drift:</b>	0.034 PPM/deg C
<b>Aging:</b>	< 2 PPM/year

## Dimensions



Panel cutout 45mm x 22.5mm (1.771" x 0.885")

## Part Numbers:

**7511** - 8-digit Self-powered Totalising Timer

**7511HV** - 8-digit Self-powered Totalising Timer with High Voltage Input

