

722 Series

Electromechanical Hour Meter



Available with stainless steel bezel

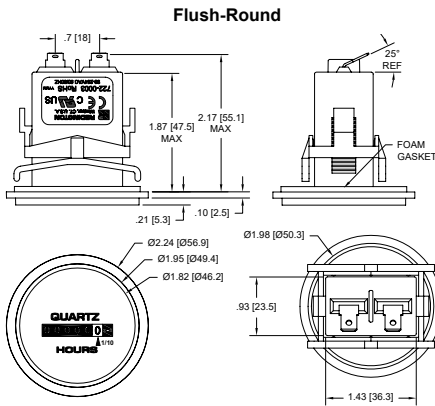
The Model 722 provides an AC Hour Meter with an operating range of 90-264VAC 50/60 Hz. You no longer require two separate meters, one for 115VAC and one for 230VAC. Models are available in the standard industry housings, 2-Hole Rectangular, Flush-Rectangular, Flush-Round and 3-Hole Round. Its quartz time base insures accurate long-term time keeping. The totally sealed case protects against the environment and provides years of reliable service. All models are NEMA 4X,12 rated when mounted with optional gasket.

Key Features

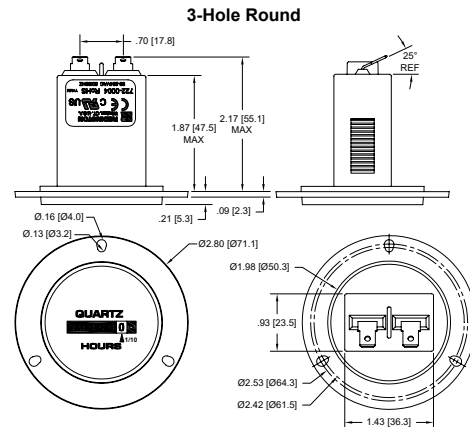
- Operating voltage 90-264VAC 50/60Hz
- Totally Sealed
- UL/cUL Recognized, CE & RoHS Compliant
- 6 Figure, 99999.9
- Quartz accuracy
- Options include:
 - Wire leads
 - Gasket kit (for NEMA 4X, 12 rating)
 - Custom lens
 - Terminals up, down, straight

Applications

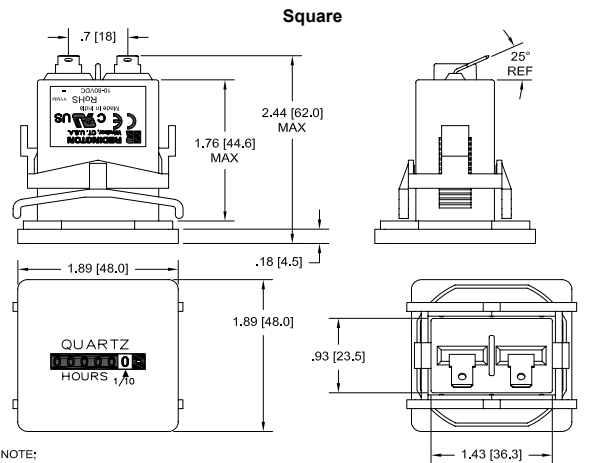
- Medical Equipment
- Control Panels
- Office Equipment
- Test Equipment
- Generators



Panel Opening: 2.0" [50.6]
Panel Thickness: 0.40 [10.2] Max.



Panel Opening: 2.0" [50.6]



NOTE:
SUPPLIED WITH RETAINING CLIP AND INSTRUCTION SHEET 211013-321IN A LABELED BOX.

PANEL CUTOUT: 1.77 [45] X 1.77 [45]
MAX PANEL THICKNESS: 0.40 [10.2]

Part Numbers

- 722-0001** 2-Hole Rectangular, 90-264VAC 50/60Hz, ¼" [6.3mm] spade terminals, hours & 1/10's
- 722-0002** Flush-Rectangular, 90-264VAC 50/60Hz, ¼" [6.3mm] spade terminals, hours & 1/10's
- 722-0003** Flush-Round, 90-264VAC 50/60Hz, ¼" [6.3mm] spade terminals, hours & 1/10's
- 722-0004** 3-Hole Round, 90-264VAC 50/60Hz, ¼" [6.3mm] spade terminals, hours & 1/10's
- 722-0030** Square 1.9", 90-264VAC 50/60Hz, ¼" [6.3mm] spade terminals, hours & 1/10's
- 5003-010** NEMA 4X, 12 Gasket for Model 722-0001
- 5003-009** NEMA 4X, 12 Gasket for Model 722-0002
- 5003-008** NEMA 4X, 12 Gasket for Model 722-0003
- 5003-011** NEMA 4X, 12 Gasket for Model 722-0004



Trumeter (Europe)
Pilot Mill
Alfred Street
Bury,
BL9 9EF
Tel: +44 161 674 0960
Email: sales.uk@trumeter.com

Trumeter (The Americas)
702 S. Military Trail
Deerfield Beach, Florida
FL 33442,
USA
Tel: +1 954 725 6699
Email: sales.usa@trumeter.com

Innovative Design Technologies Sdn. Bhd
Lot 5881, Lorong Iks Bukit Minyak 1
Taman Perindustrian Iks, 14000 Bukit Tengah
Penang, Malaysia
Web: www.idtworld.com
Tel: + 604 5015700
Email: sales.my@idtworld.com