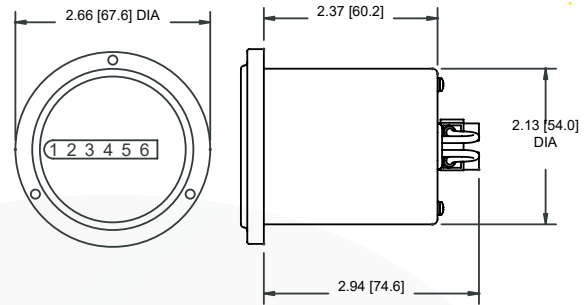


# 720 Series

## Electromechanical Hour Meter



Panel cutout: 2.16" [54.9] Dia.  
Mounting holes: 0.125" [3.2] Dia. on 2.44" [62.0] B.C.

6 figure (non-reset), AC hour meter encased in a rugged steel housing. The faces of these meters are sealed for periodic washdowns.

### Key Features

- Rugged steel housing
- Options include:
  - Readouts to 9999.99 hrs.
  - Gasket (721-0004)

### Applications

- Control panel
- Industrial equipment
- Test equipment

### Specification

**Figures:** 6 figure (non-reset), 0.19" [5mm] high,  
99,999.9 (non-reset)

**Reset:** Non-reset

**Voltages:** 115VAC (+/- 10%), 60Hz.

**Power:** 3 watts max.

**Mounting:** Panel (3-hole)

**Termination:** 6" [152mm] wire leads

**Temp. Range:** -40°F to +160°F [-40°C to +70°C]

**Approvals:** UL Recognized, CE Compliant, ROHS

**Weight:** 10 oz. [284g]

### Part Numbers

**720-0007** 115VAC/60Hz, non-reset, 3-hole round, 6" [152.4mm] wire leads

