

# 533K.2

## Setpoint Generator/ Time Based Process Adjuster

### FEATURES

- Function of a digital time controller with analog output.
- Manual functions with direct input or stepped incremental output of the setpoint.
- 4-digit 8 mm high top-quality LED display
- Physical variables output in the form of 0 to 12 V or 0 to 24 mA analogue signals.
- Units of display can be freely programmed and displayed – no conversion of the specified output value required.
- High accuracy of < 0.1% of the final value.



### COST-SAVING AND COMPACT:

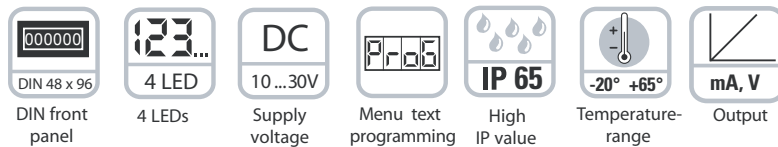
- Ideal for simulation runs without the need for expensive, time-consuming running-in of processes.
- Processes become more cost-effective
- DIN 48 x 24 mm panel-mount housing with installation depth of only 59 mm.

### DESCRIPTION

The set-point generator / adjuster 533k.2 triggers a standard signal or a freely programmable signal sequence from 0 ... 12 V or from 0 ... 24 mA The set-point generator / adjuster 533K.2 is a real innovation opening up new application potentials in process technology and automation. .

### USER-FRIENDLY:

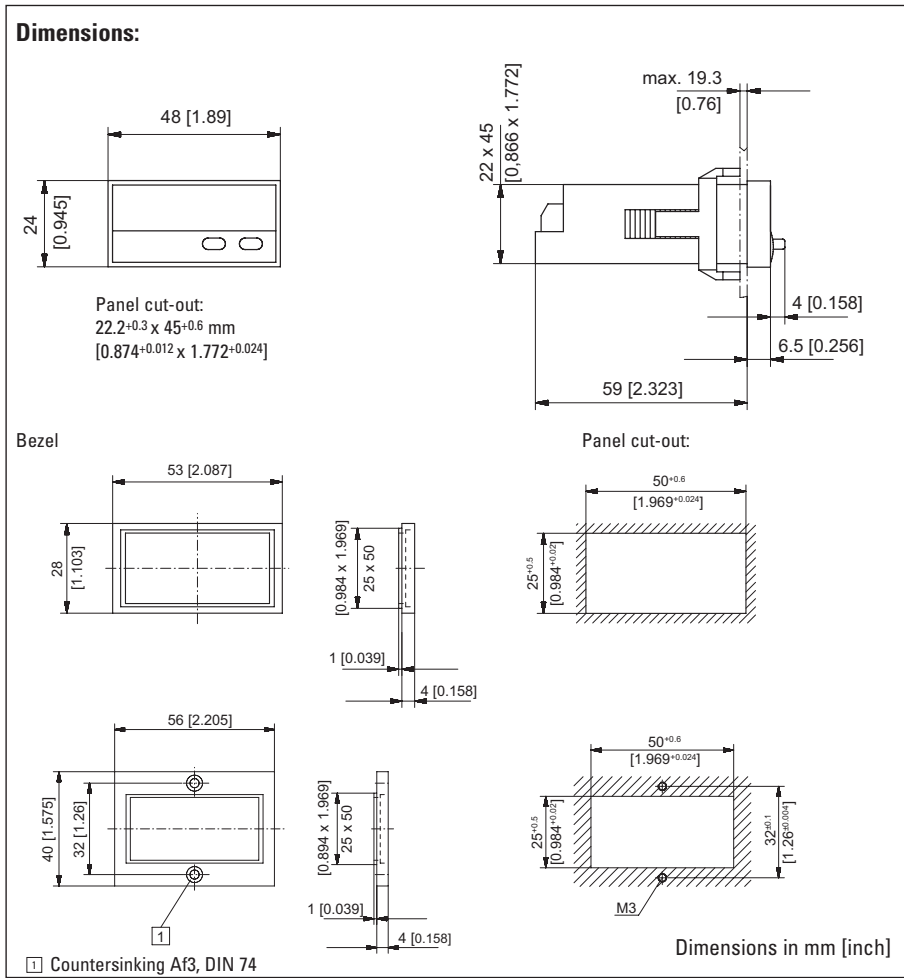
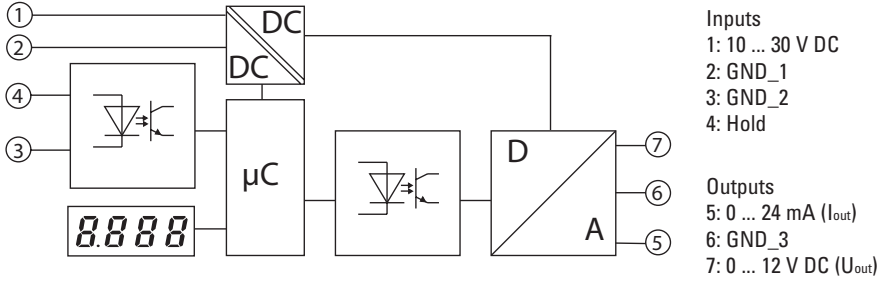
- Simpler to run processes than with a PLC or process controller.
- Everything can be programmed easily by means of 2 keys and the text menu.
- Digital setting - no additional DIP switches or potentiometers.
- Display allows simple monitoring of the specified setpoint output.
- Comfortable display form as direct digital value



### SPECIFICATIONS

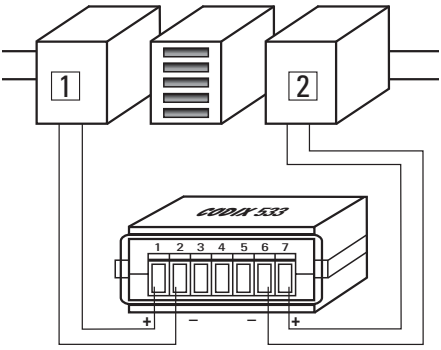
Supply voltage:	10 ... 30 V DC, galvanically isolated with integrated protection against incorrect polarity	Test voltages:	EN 61010-1, degree of soiling 2 and overvoltage category 2
Power consumption:	max. 1W	Test voltage:	500 V, 50 Hz, 1 min.
Display:	4-digit display, red 7-segment LEDs; height 8 mm [0.35"]	Current output:	0 ... 24 mA, increment 10 $\mu$ A load 20 mA up to $\leq$ 500 Ohm, > 20 mA up to $\leq$ 400 Ohm
Data backup:	EEPROM	Voltage output:	0 ... 12 V, increment 10 mV load $\geq$ 2 kOhm
Housing:	housing for control panel 48 x 24 mm [1.89 x 0.945"] accord. to DIN 43 700; RAL 7021, dark grey	Control input	High: 4 ... 30 V DC
Protection:	IP65 (front)	Hold (high active):	Low: 0 ... 2 V DC
Operating temperature:	-20 ... +65 °C [-4 ... +149 °F]	Accuracy:	< 0.1 % of the terminal value $\pm$ 0.01 %/K
Storage temperature:	-25 ... +85 °C [-13 ... +185 °F]	Weight:	approx. 50 g [1.764 oz.]
Conformity:	conforms to CE requirements acc. to the EC directive 89/36/EEC	Connections:	screw terminal, pitch 5.08 mm, 7 poles
EMC:	interference emissions EN 55011 class B interference resistance EN61000-6-2		

**Block diagram:**



**Terminal assignment:**

- |                 |                 |
|-----------------|-----------------|
| 1 10 ... 30 VDC | 5 0 ... 24 mA   |
| 2 GND 1         | 6 Analog GND 3  |
| 3 GND 2         | 7 0 ... 10 V DC |
| 4 Hold          |                 |



- 1 Power supply
- 2 Analogue input

**Delivery includes:**

- Digital display
- Panel mounting clip
- Bezel for clip mount,
- panel cut-out 50 x 25 mm [1.969 x 0.984"]
- Bezel for screw mount,
- panel cut-out 50 x 25 mm [1.969 x 0.984"]
- Seal
- 1 set of self-adhesive symbols
- Multilingual operating instructions

**Ordering Information:**

**Order#:** 533K.2 - Setpoint Generator/  
Time Based Process  
Adjuster

**Options**

- 32DINRAIL - DIN Rail Mounting Frame
- DR-4 - 4" DIN Rail