

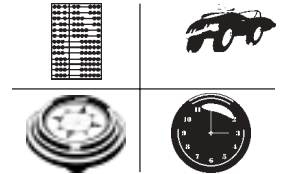
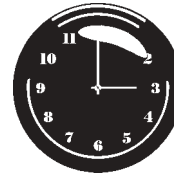
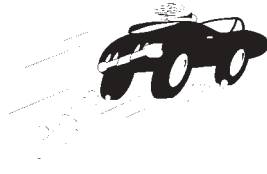
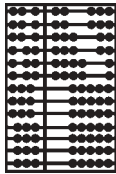
# 520K-530K

*Pulse Counters, Position Displays, Rate Meters, Time Meters & Combinations*

*New Family: Your choice for your application!*

## Features

- LED display with very high luminosity
- 0.315" (8mm) digit height
- 6 digit display
- DIN housing, 1.88"x.944" (48x24mm)
- Easy 2 button programming
- Connection with screw terminal
- IP65 NEMA 4X (front)
- NEMA 4X Wall Mount Enclosure (optional)
- Input pulse-shape variable (Schmitt Trigger characteristics)



**520K**

Simple Display Counter

- Display range 0..999999 with leading zero blanking
- Overflow condition will be indicated by displaying the count value without leading zero blanking
- Count frequency up to 10kHz (can be damped to 30Hz in setup)
- SET-key resets the counter to zero (can be disabled in setup)
- 1 count input
- 1 reset input

Order #: **520K.2**

**521K**

Totalizer and Position indicator

- Display range -199999..0..999999 with leading zero blanking
- Overflow condition will be indicated by 1Hz flashing of display
- Count frequency up to 10kHz (can be damped to 30Hz in setup)
- SET-key resets the counter to zero (or selected preset number)
- 2 count inputs
- 1 reset input
- Multiplying factor (0.00001...99.9999)
- Option: optocoupler output if count value  $\leq 0$
- Counting with direction input, differential counting, counting with phase discriminator (also with pulse doubling)

Order #:  
**521K.1 w/optocoupler**  
**521K.2 w/out optocoupler**

**522K**

Frequency meter and Tachometer

- Display range 0..999999 with leading zero blanking
- Indicates rate per sec or min (1/Tau) to 0.1% accuracy
- Overflow condition will be indicated by 1Hz flashing of display
- Input frequency up to 10kHz (can be damped to 30Hz in setup)
- 1 count input
- Operating principle: period duration measurement (average value at higher frequencies)
- Option: optocoupler output if frequency  $f=0$  (e.g. no operation indicator)
- Multiplying factor (0.00001...99.9999)

Order #:  
**522K.1w/optocoupler**  
**522K.2 w/out optocoupler**

**523K**

Time meter

- Display range 0..999999 with leading zero blanking to 0.03% accuracy
- Lowest digit's decimal point flashes when timing
- Timing in s, min, h or h.min.s (programmable) Timing resolution x1, .1, .01, .001, fixed by selected decimal point
- SET-key resets the counter to zero
- Gate, start and stop via 2 inputs (programmable)
- 1 reset input
- Operation mode: Precise timing from hours to 1/1000 sec
- Option: optocoupler output (e.g. Timing indicator, 0.5 sec On/Off)

Order #:  
**523K.1 w/optocoupler**  
**523K.2 w/out optocoupler**

**524K**

Multipurpose device

- 521K-523K in just one device
- Operation mode can be programmed

Order #:  
**524K.1 w/optocoupler**  
**524K.2 w/out optocoupler**

## 525K

### Adding Counter and Tachometer

- Display range 0..999999 with leading zero blanking
- Overflow condition will be indicated by 1 Hz flashing of rate value and leading zeros of totalizer
- Count frequency up to 10kHz
- Indicates rate / sec or min (1/Tau)
- SET-key resets the counter to zero (can be disabled in the setup)
- Key to switch rate / total display
- 1 count input
- 1 reset input
- Separate multiplying factors for totalizer & ratemeter (0.00001...99.9999)
- Operating mode: Rate meter: 1/Tau (average value at higher frequencies)

**Order #: 525K.2**

## 526K

### 2 Display Counters

- Display range 0..999999 with leading zero blanking
- Overflow indicated by the leading zeros
- Count frequency up to 10kHz
- SET-key resets the counter to zero (can be disabled in setup for each counter separately)
- Push-button for switching between counter 1 and counter 2
- 1 count input
- 1 reset input (programmable for each counter separately in setup)
- One multiplying factor (0.00001...99.9999)

**Order #: 526K.2**

## 527K

### Display Counter and Time meter

- Display range 0..999999 with leading zero blanking (Overflow shows leading zeros)
- Lowest digit's decimal flashes when timing
- Adding counter: Decimal point only optical function
- Hour meter: Timing in s, min, h or h.min.s (programmable)
- Decimal point fixes the resolution
- SET-key resets the counter to zero (can be separately disabled in the setup for each channel)
- Push-button switches adding counter / time meter
- Count frequency up to 10kHz
- 1 count input
- Gate, start and stop via 1 input (programmable)
- 1 reset input (can be disabled in setup)
- Multiplying factor (0.00001...99.9999)

**Order #: 527K.2**

## 528K

### 2 Time meters

- Display range 0..999999 with leading zero blanking
- Active timing will be indicated by flashing the lowest digit's decimal point (one control)
- Timing in s, min, h or h.min.s (programmable)
- Decimal point fixes the resolution (ex: 1, 0.1, 0.01, 0.001)
- SET-key resets the counter to zero (can be disabled in the setup)
- Push-button for switching between time meter 1 and 2
- Gate, start and stop via 2 inputs (programmable)
- 1 reset input (programmable for each timer separately in setup)

**Order #: 528K.2**

## 529K/530K

### Analog Displays

- Display range -19999..0..99999 with leading zero blanking
- Resolution 14 bit
- 5 digit display
- 6 digit total display (530K)
- 4 different resolutions (0..20mA; 4..20mA; 0..10V or 2..10V)
- Scaling factor for displayed value
- Automatic storage of maximum and minimum value (can be disabled in setup)
- Input to activate storing of displayed value

**Order #:**

**529K.2 = Rate Display Only**

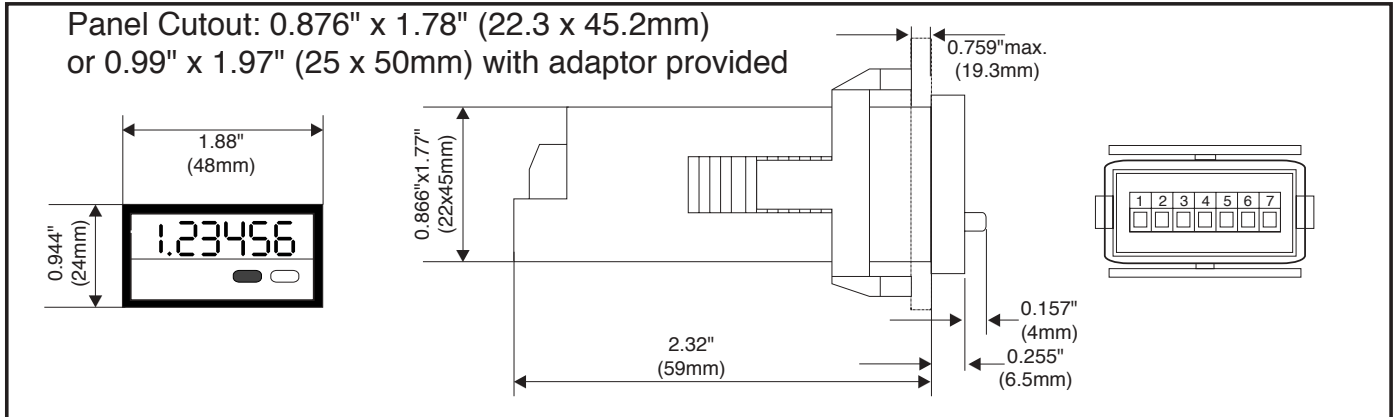
**530K.2 = Rate and Total Display**

### Electrical characteristics:

- Supply Voltage: 10 to 30 VDC
- Data retention: EEPROM (1 million cycles or 10 years)
- Noise immunity acc. to EN 50081-2; EN55011 class B; EN 50082-2
- Ambient temperature: 14°F to 122°F (-10°C to +50°C)
- Input sensitivity: Low: 0 to 1 VDC High: 4 to 30 VDC
- Input resistance: 10 k ohm
- Polarity of inputs: programmable for all inputs in common
- Optocoupler: Max 30VDC, 10 mA, 1V drop @ 10 mA

## 520K Series Dimensions

### Panel Mount (standard):



### Wall Mount (optional):

