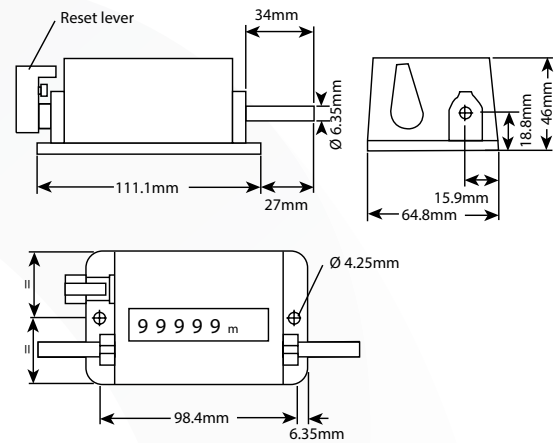


3001-019428

Mechanical Totalizing Counter



This unit is designed to count the revolutions on machinery used in the manufacture of wallpaper and fabrics. It is robustly constructed for continuous operation at high speeds and ensures accurate, long term, trouble free service. This counter can be driven from either or both sides by the 6.35mm (0.25in) diameter drive shafts and features a reset lever on the left hand side.

Key Features

- 5-digit 6.4mm (0.25in) readout.
- Up to 3000 counts per minute.
- 1:20 gearings as standard.
- Top viewing.
- Reset to zero.
- Reset by lever.

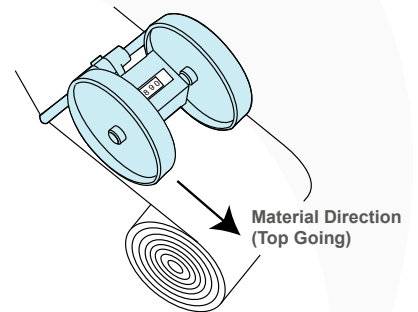
Specifications

Display	White on black, decimals black on white 0.25in (6.4mm) figures
Base Material	Aluminium alloy
Cover Material	Black ABS plastic
Drive Shaft Diameter	0.25 inch (6.35mm) diameter
Gearing	1:20
Bearings	Bronze, oil impregnated for life
Operating Torque	180g.cm (2.5oz.in) at 1:1 gearing
Maximum Shaft Speed	3000 RPM
Maximum Count Speed	3000 CPM
Operating Temp	-10°C to +50°C [14°F to 122°F]
Storage Temp	-20°C to +50°C [-4°F to 122°F]
Environmental Protection	IP40
Nett Weight	300g

Part Number

3001-019428 Mechanical Counter, 999.99m, Top-Going, Black

3001-019428-XX As above with custom branding/logo



Trumeter (The Americas)
6601 Lyons Rd, Suite H-7
Coconut Creek, Florida
FL 33073,
USA
Tel: +1 954 725 6699
Email: sales.usa@trumeter.com

Trumeter (Europe)
Pilot Mill
Alfred Street
Bury,
BL9 9EF
Tel: +44 161 674 0960
Email: sales.uk@trumeter.com

Innovative Design Technologies Sdn. Bhd
Lot 5881, Lorong Iks Bukit Minyak 1
Taman Perindustrian Iks, 14000 Bukit Tengah
Penang, Malaysia
Web: www.idtworld.com
Tel: + 604 5015700
Email: sales.my@idtworld.com