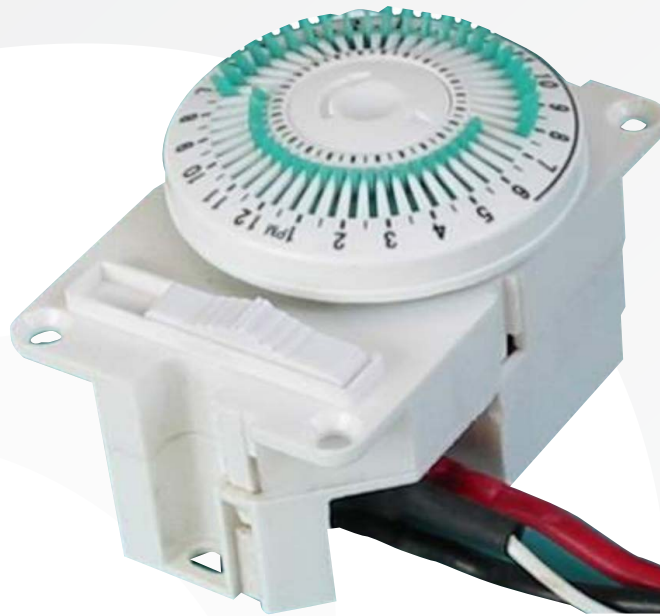


# GM Series

## Electromechanical Timer Modules for OEM Applications

GM1, GM2



### Features

The GM series of OEM time switches are designed for control of heating, ventilating, air conditioning, refrigeration, lighting, security, circulating pumps, spas or any electrical load requiring 24-hour scheduling. The small and contemporary design provides flexibility and interchangeability for any time switch requirement.

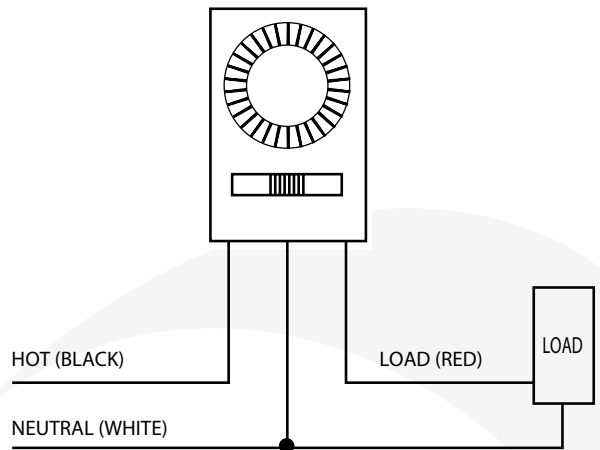
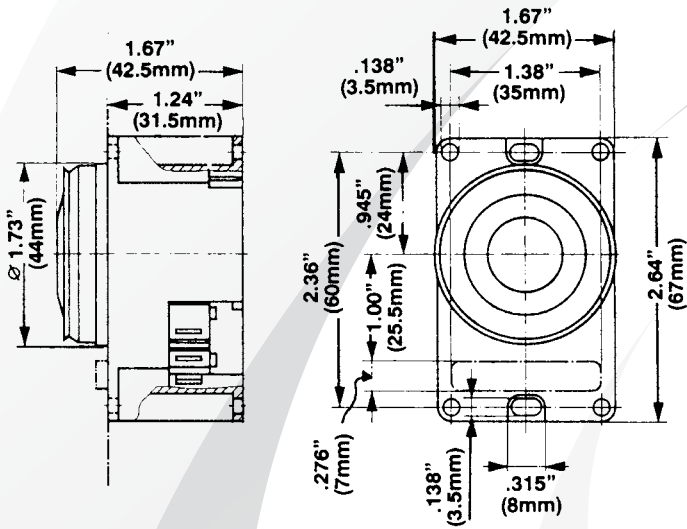
Ordering Data GM Series Specify Input Voltage	Operating Features						
	Switch Program	Reserve	Program On/Off Every	Shortest Switching Time	Switch		Manual Override
					Type	Rating	
GM1	24 hr.	No	30 min.	30 min.	SPST	15A res.	Yes
GM2	24 hr.	No	30 min.	30 min.	SPDT	20A res.	Yes

**Technical Specification:**

<b>Supply Voltage:</b>	24, 120, 240VAC
<b>Switch Rating:</b>	SPST or SPDT
<b>Resistive:</b>	15A or 20A
<b>General Purpose:</b>	15A or 20A
<b>HP:</b>	1/2 or 1
<b>Power Consumption:</b>	1VA
<b>Installation:</b>	Electrical Wall Box or Panel Mounting
<b>Manual Switch:</b>	On/Auto/Off
<b>Trippers:</b>	Captive
<b>Connections:</b>	Wire Leads
<b>Weight:</b>	Approximately 3 oz.

**Dimensions**

**Wiring Diagram**



Full specifications available online [www.trumeter.com](http://www.trumeter.com)

