

# Trumeter Remote Monitoring for Plug & Play Connectivity





# Monitor Everything in One Place

Trumeter Cloud enables you to monitor the status of your systems anywhere, any time. Our easy-to-use configuration software allows you to set alarm thresholds for timely alerts before problems arise. Plus, your data is securely stored in the Cloud and can be exported at any time to inform your business decisions.

- Customizable alarm conditions and thresholds for notifications
- Unlimited email notifications, plus options to add text messages
- Exportable data stored securely in the Cloud



# The Trumeter Cloud Dashboard

■ Monitor multiple APMs via APM Gateway and multiple Vista Touch meters

■ See real time gauge readings and data visualization

■ Monitor up to 4 Advanced Panel Meters per APM Gateway

■ Get alerts based on customizable alarm conditions

■ Export your data in multiple formats



# Connect with Vista Touch Meters

The revolutionary Vista Touch panel meters have a bright, full-color HD display that's brilliantly easy to use. The graphical display offers full configurability with multiple, vibrant pre-loaded gauge options. All with an industry standard mounting to make it easy to incorporate into your systems.



## HD Color Display

Full-color graphics display with dark/light mode and pre-set gauge designs to match your application.



## Easy Programming

Fully configurable from the front panel with an intuitive touchscreen interface.



## IoT Ready

Out-of-the-box remote monitoring on mobile and desktop with data recording and email and SMS alerts.



## Built-In Connectivity

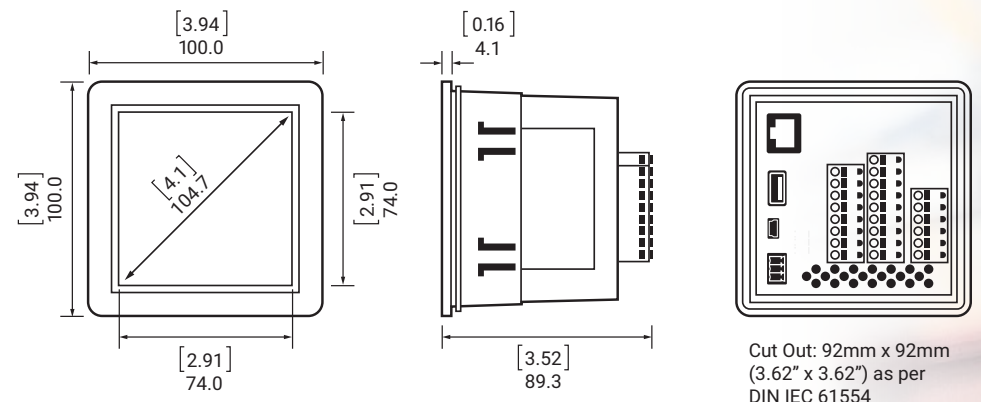
Modbus® RTU and TCP, plus 2 relay and 1 analog outputs, and 2 digital inputs.

## Vista Touch: Power

The Vista Touch Power Meter provides optimal power monitoring for single, split and 3 phase networks.

## Vista Touch: Flow

The Vista Touch Flow works seamlessly with a wide range of industrial flow sensors to provide the most effective flow rate monitoring and visualization.





## Vista Touch Meter Specifications

Model	Input Type	Operating Range	Accuracy	IoT Plug & Play	Platform	Touchscreen	Communication	Mass Storage	Relay Output	Excitation Voltage	Analog Output	Power Supply Options
Vista Touch Flow	Voltage	0 to +10V DC	0.1% of full scale	Yes	TruMeter Cloud	Yes	RS485 TCP-IP (Ethernet)	USB	2 x Form C relay 277V AC / 5A Max 30V DC / 5A Max	24V DC	4 - 20 mA	High Voltage: 100 - 277V AC 50/60Hz   10W Low Voltage: 12 - 24V AC/DC 50/60Hz   10W
	Current	-50mA to +50mA	0.1% of full scale									
	Pulse/Rate	0 to 10KHz Logic 0 = 0 to 0.6V DC Logic 1 = 2.5V to 24V DC	100 PPM									
Vista Touch Power	Voltage	L-L 0 - 600VAC L-N 10 - 300VAC	1% of full scale	Yes	TruMeter Cloud	Yes	RS485 TCP-IP (Ethernet)	USB	2 x Form C relay 277V AC / 5A Max 30V DC / 5A Max	N/A	4 - 20 mA	High Voltage: 100 - 277V AC 50/60Hz   10W Low Voltage: 12 - 24V AC/DC 50/60Hz   10W
	Current	0 - 5A Direct, 1:1 to 1000:1 with CT										
	Potential Transformer	1:1 to 1000:1	N/A									

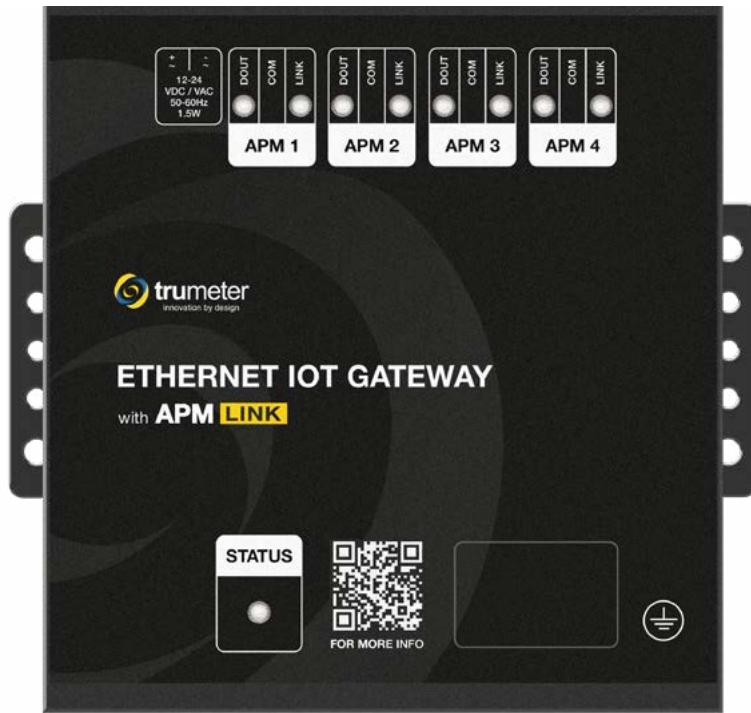
# Connect any APM with the APM Gateway

The APM Gateway with Trumeter Cloud provides a remote monitoring solution for your APMs, with a powerful feature set in a cost effective package.

For use with the entire APM range, the APM Gateway instantly gives you the ability to remotely monitor readings and get real-time alerts via email and SMS.

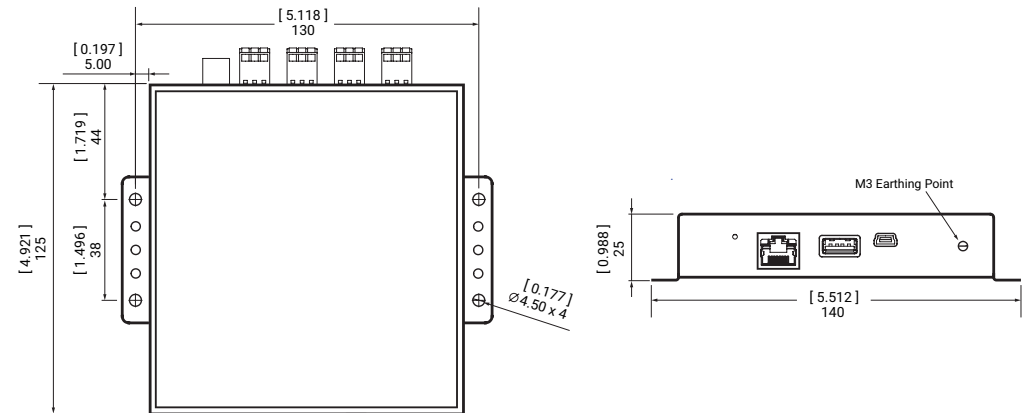


Connect up to 4 APMs  
to the Cloud in minutes with  
the APM Gateway.



## APM-IOT-GATEWAY

APM Gateway with Ethernet connection and Standard Trumeter Cloud online dashboard subscription



## APM Gateway Specifications

Model	Input Type	Network	IoT Plug & Play	Platform	Antenna	Total APMs to Monitor (Outputs)	Cloud Access	Power Supply Options
APM-IOT-GATEWAY	4 APM-Link Inputs	10/100 Ethernet RJ45; DHCP only	Yes	Trumeter Cloud	No	4 (digital outputs)	Free Standard Version	12-24VDC/VAC 100-240VAC, 50/60Hz

# Trumeter Cloud Plans



Anyone with an Advanced Panel Meter and APM Gateway or Vista Touch gets access to Trumeter Cloud for free! But you'll likely want to upgrade to one of our other plans to take advantage of monitoring multiple devices with increased data storage and communication capabilities.

Standard	Advanced	Pro <span style="background-color: yellow;">Popular</span>	Expert
Monitor a stable process with one APM	Add instant alerts for critical processes	Analyze annual data for process improvement	Scale up with virtually unlimited features
<b>FREE</b>	<b>\$20/month</b> \$220/year with annual plan	<b>\$45/month</b> \$495/year with annual plan	<b>\$100/month</b> \$1,100/year with annual plan
<ul style="list-style-type: none"> <li>✓ 1 Ethernet Device*</li> <li>✓ 1 User</li> <li>✓ 15 Min. Data Refresh</li> <li>✓ 10 Days Data Storage</li> <li>✓ Unlimited Emails</li> <li>✗ Texts</li> <li>✗ International Texts</li> </ul>	<ul style="list-style-type: none"> <li>✓ 5 Ethernet Devices*</li> <li>✓ 3 Users</li> <li>✓ 1 Min. Data Refresh</li> <li>✓ 45 Days Data Storage</li> <li>✓ Unlimited Emails</li> <li>✓ 30 Texts / Month</li> <li>✗ International Texts</li> </ul>	<ul style="list-style-type: none"> <li>✓ 10 Ethernet Devices*</li> <li>✓ 5 Users</li> <li>✓ 30 Sec. Data Refresh</li> <li>✓ 1 Year Data Storage</li> <li>✓ Unlimited Emails</li> <li>✓ 100 Texts / Month</li> <li>✓ International Texts</li> </ul>	<ul style="list-style-type: none"> <li>✓ 100 Ethernet Devices*</li> <li>✓ 100 Users</li> <li>✓ 15 Sec. Data Refresh</li> <li>✓ Unlimited Data Storage</li> <li>✓ Unlimited Emails</li> <li>✓ Unlimited Texts</li> <li>✓ International Texts</li> </ul>

\* Ethernet Device includes IoT Gateway or ethernet enabled APM or Vista Touch. Additional Ethernet Devices: \$3 / month.



[www.trumeter.com](http://www.trumeter.com)

**Trumeter (The Americas)**

6601 Lyons Road  
Suite H-7  
Coconut Creek, FL 33073  
USA  
Tel: +1 954 725 6699  
Email: [sales.usa@trumeter.com](mailto:sales.usa@trumeter.com)

**Trumeter (Europe)**

Pilot Mill  
Alfred Street  
Bury  
BL9 9JR  
Tel: +44 161 674 0960  
Email: [sales.uk@trumeter.com](mailto:sales.uk@trumeter.com)

**Innovative Design Technologies Sdn. Bhd**

Lot 5881, Lorong Iks Bukit Minyak 1  
Taman Perindustrian Iks, 14000 Bukit Tengah  
Penang, Malaysia  
Web: [www.idtworld.com](http://www.idtworld.com)  
Tel: + 604 5015700  
Email: [sales.my@idtworld.com](mailto:sales.my@idtworld.com)