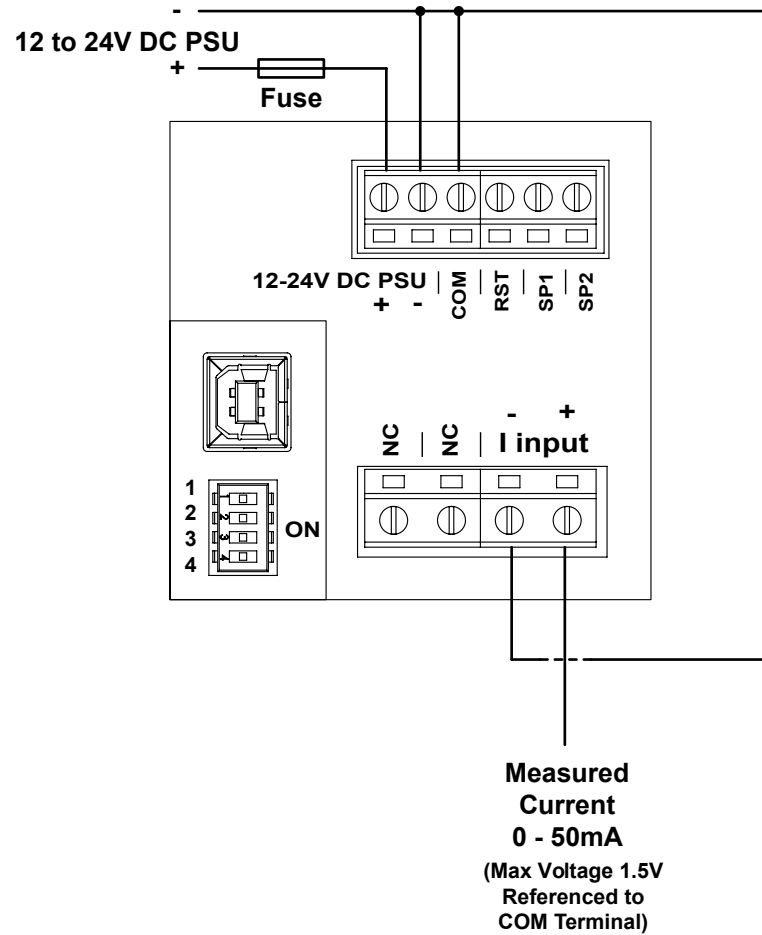
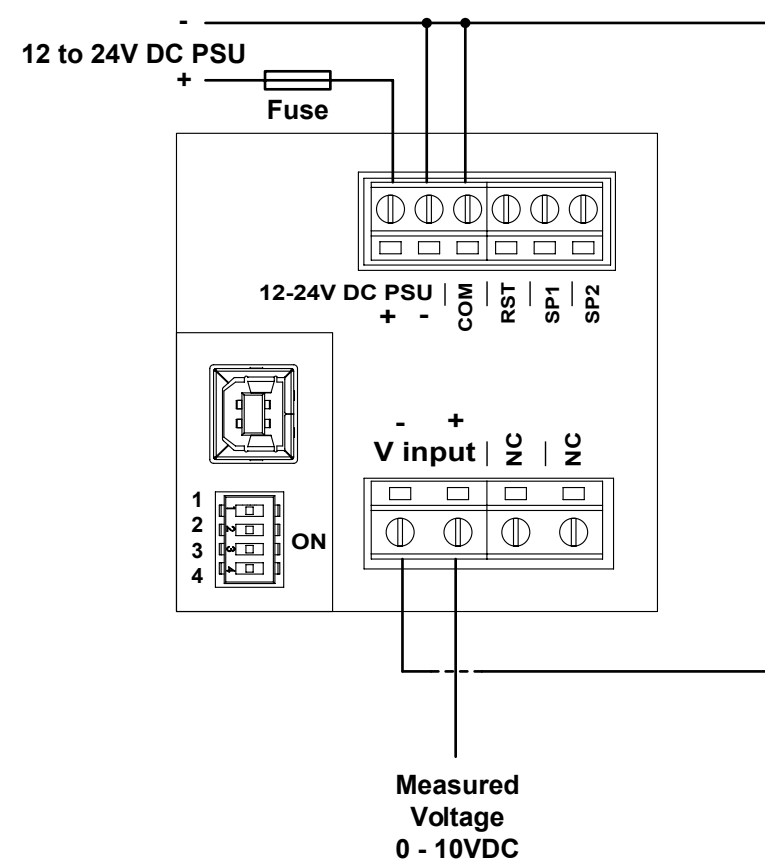


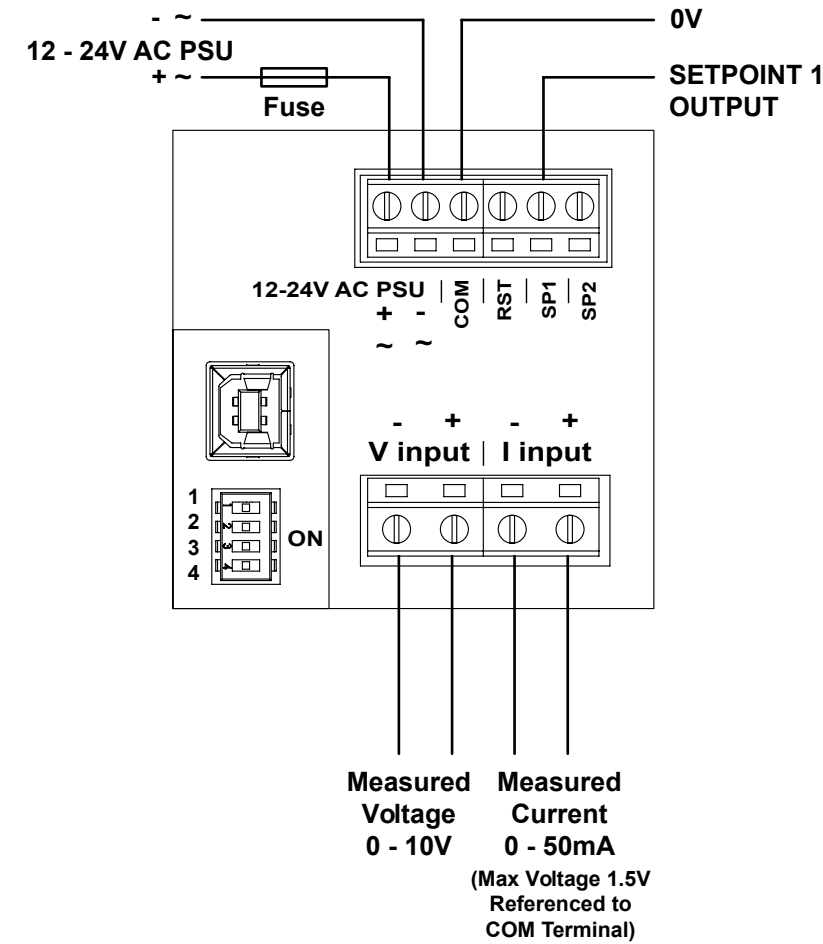
**CURRENT INPUT**  
**Ground Referenced**  
**DC POWERED (12 to 24V)**



**VOLTAGE INPUT**  
**Ground Referenced**  
**DC POWERED (12 to 24V)**



**VOLTAGE or CURRENT INPUTS**  
**Differential Measurement**  
**DC POWERED (12 to 24V)**  
**WITH EXTERNAL RESET**



**VOLTAGE or CURRENT INPUTS**  
**Differential Measurement**  
**AC POWERED (12 to 24V)**  
**WITH SETPOINT OUTPUT ON SP1**

