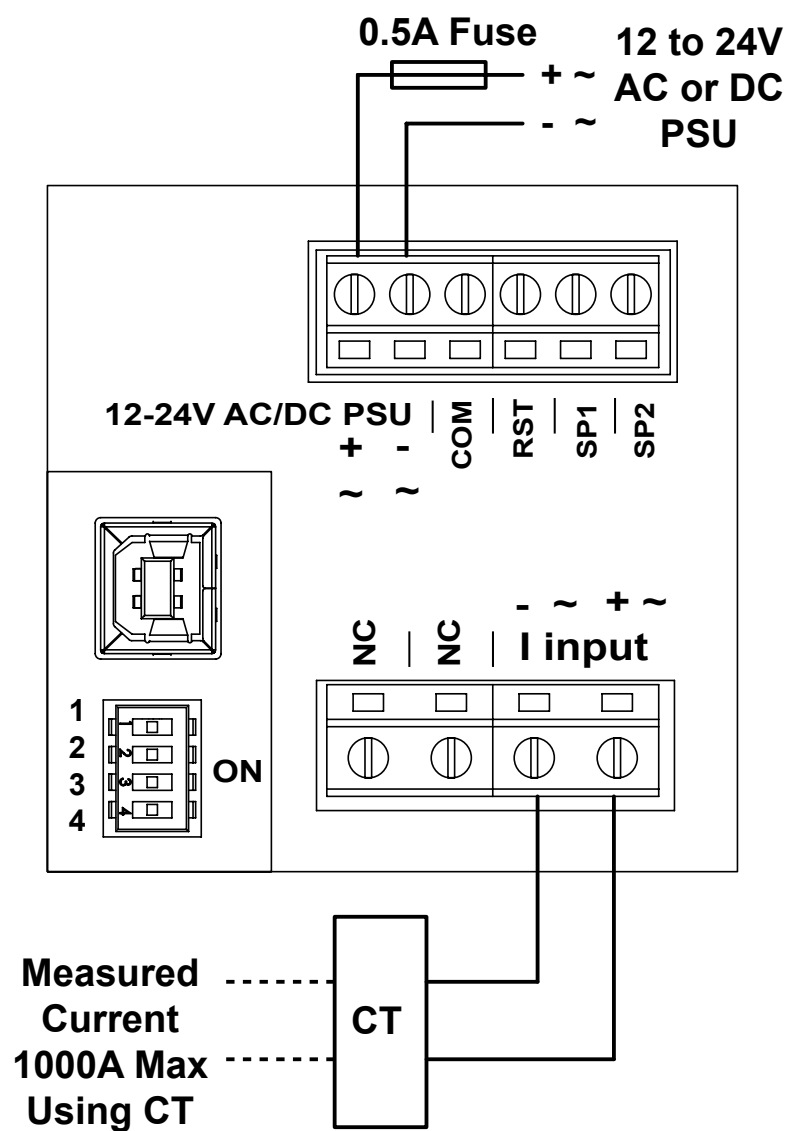
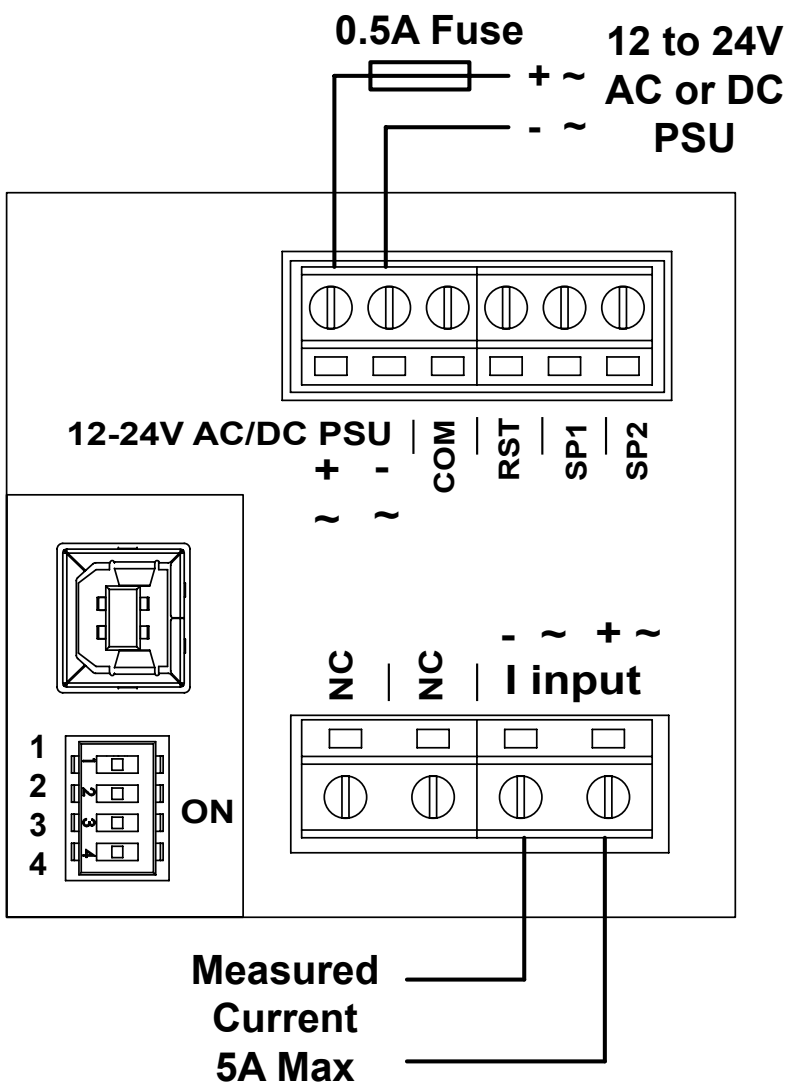


### USING CURRENT TRANSFORMER



### DIRECT



### USING CURRENT SHUNT

